



BRAKE PAD PRIME CERAMIC P56022N

The P56022N NAO brake pad is
synonymous with reliability

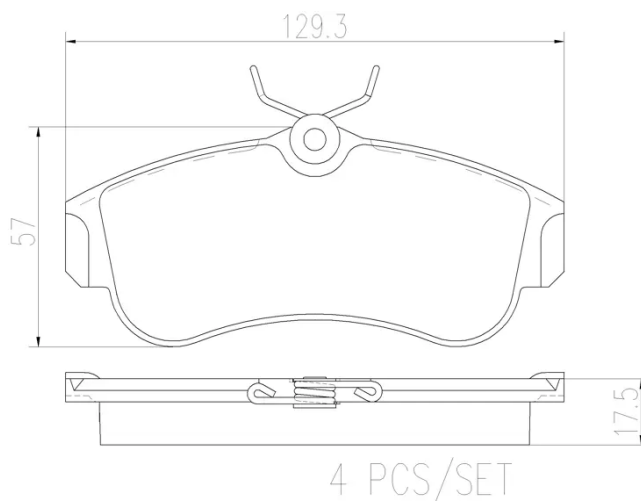
Brembo NAO brake pads stand out for their ultimate braking comfort, reduced friction wear and low dust mission, which makes for cleaner rims and reduced maintenance requirements. The advanced friction material in keeping with the strictest environmental standards is the main distinguishing feature of NAO compounds.

- ✓ OE-equivalent
- ✓ Brembo quality
- ✓ Safety
- ✓ Comfort
- ✓ Durability
- ✓ Dust reduction
- ✓ With accessories



Technical specifications

EAN code 8020584086872	Axle Front	Thickness 18 mm
Width 129 mm	Height 57 mm	Braking system Lucas
Wear indicator Without	WVA number 21546	Accessories With anti-squeal shim



COMPATIBLE VEHICLES

COMPATIBLE OE PART NUMBERS

410602F025 NISSAN

410602F026 NISSAN

410602F027 NISSAN

410604M525 NISSAN

410604M526 NISSAN

4106071J25 NISSAN

4106071J26 NISSAN

41060BM425 NISSAN

41060F1725 NISSAN

D1060BM40A NISSAN
