



BRAKE PAD PRIME CERAMIC P83075N

The P83075N NAO brake pad is synonymous with reliability

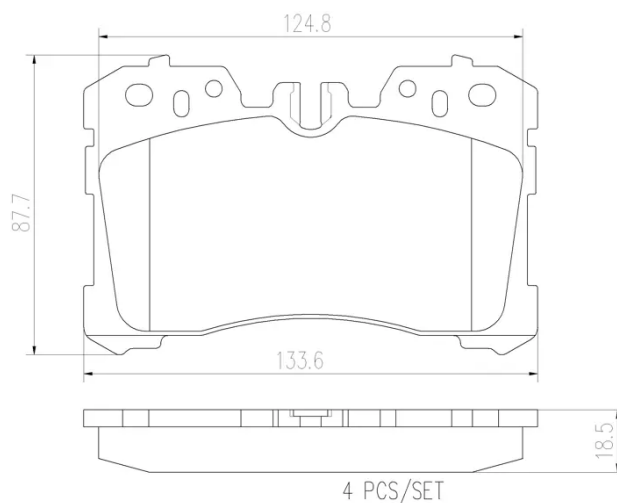
Brembo NAO brake pads stand out for their ultimate braking comfort, reduced friction wear and low dust mission, which makes for cleaner rims and reduced maintenance requirements. The advanced friction material in keeping with the strictest environmental standards is the main distinguishing feature of NAO compounds.

- ✓ OE-equivalent
- ✓ Brembo quality
- ✓ Safety
- ✓ Comfort
- ✓ Durability
- ✓ Dust reduction
- ✓ With accessories



Technical specifications

EAN code	Axle	Thickness
8020584082898	Front	19 mm
Width	Height	Braking system
134 mm	88 mm	Advics
Wear indicator	WVA number	Accessories
Prepared for wear indicator	24245	With anti-squeal shim



COMPATIBLE VEHICLES

COMPATIBLE OE PART NUMBERS

044650W110 LEXUS

044650W11000 LEXUS

044650W11079 LEXUS

044650W130 LEXUS

0446550260 LEXUS

0446550280 LEXUS

0446550290 LEXUS

0446530530 TOYOTA

0446530550 TOYOTA

0446562010 TOYOTA
