



BRAKE PAD PRIME CERAMIC P85119N

The P85119N NAO brake pad is
synonymous with reliability

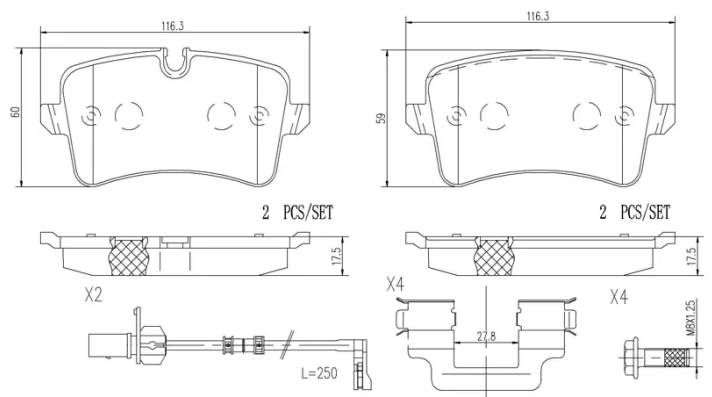
Brembo NAO brake pads stand out for their ultimate braking comfort, reduced friction wear and low dust mission, which makes for cleaner rims and reduced maintenance requirements. The advanced friction material in keeping with the strictest environmental standards is the main distinguishing feature of NAO compounds.

- ✓ OE-equivalent
- ✓ Brembo quality
- ✓ Safety
- ✓ Comfort
- ✓ Durability
- ✓ Dust reduction
- ✓ With accessories



Technical specifications

EAN code 8020584068052	Axle Rear	Thickness 18 mm
Width 116 mm	Height 59 mm	Braking system Lucas
Wear indicator Electric	WVA number 24606,25214	Accessories With accessories With anti-squeal shim With brake caliper bolts



COMPATIBLE VEHICLES

COMPATIBLE OE PART NUMBERS

4G0698451B	AUDI
------------	------

4G0698451C	AUDI
------------	------

4G0698451K	AUDI
------------	------

4G0698451L	AUDI
------------	------

4G0698451Q	AUDI
------------	------

95B698451E	PORSCHE
------------	---------

95B698451H	PORSCHE
------------	---------

4G0698451B	SEAT
------------	------

4G0698451C	SEAT
------------	------

4G0698451B	SKODA
------------	-------

4G0698451C	SKODA
------------	-------

4G0698451B	VW
------------	----

4G0698451C	VW
------------	----