



BRAKE PAD

P 50 059

The P 50 059 brake pad is synonymous with reliability

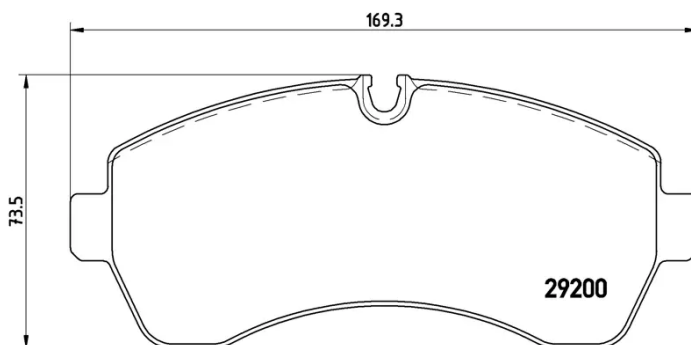
The Brembo brake pad guarantees ultimate safety when braking thanks to the use of more than 100 different compounds, designed according to the type of vehicle and use. Stopping distances reduced to a minimum, maximum driving comfort and silent operation are the most important features of Brembo materials. Brembo brake pads are supplied together with an extensive range of accessories and assembly kits for professional-standard installation.



- ✓ OE-equivalent
- ✓ Brembo quality
- ✓ ECE-R90 certificate
- ✓ Safety
- ✓ Performance
- ✓ Comfort
- ✓ With accessories

Technical specifications

| | | |
|--|----------------------------|---|
| EAN code 8020584059555 | Axle Front | Thickness 21 mm |
| Width 169 mm | Height 74 mm | Braking system Brembo |
| Wear indicator Prepared for wear indicator | WVA number 29200 | Accessories With accessories With anti-squeal shim With brake caliper bolts |



COMPATIBLE VEHICLES

COMPATIBLE OE PART NUMBERS

| | |
|-------------|---------------|
| 2E0698151A | AUDI |
| 2E0698151C | AUDI |
| 2E0698151F | AUDI |
| 68006734AA | DODGE |
| 68006734AA | FREIGHTLINER |
| 0044206820 | MERCEDES-BENZ |
| 0044208220 | MERCEDES-BENZ |
| 0054205320 | MERCEDES-BENZ |
| 0084204720 | MERCEDES-BENZ |
| 9064200400 | MERCEDES-BENZ |
| 9064210300 | MERCEDES-BENZ |
| 9064210800 | MERCEDES-BENZ |
| 9074209901 | MERCEDES-BENZ |
| 9104207700 | MERCEDES-BENZ |
| 9104219000 | MERCEDES-BENZ |
| A0044206820 | MERCEDES-BENZ |
| A0044208220 | MERCEDES-BENZ |
| A0054205320 | MERCEDES-BENZ |
| A0084204720 | MERCEDES-BENZ |
| A9064210300 | MERCEDES-BENZ |
| A9064210800 | MERCEDES-BENZ |
| A9064211500 | MERCEDES-BENZ |
| A9104219000 | MERCEDES-BENZ |
| 2E0698151A | SEAT |
| 2E0698151C | SEAT |
| 2E0698151F | SEAT |
| 2E0698151A | SKODA |
| 2E0698151C | SKODA |
| 2E0698151F | SKODA |
| 2E0698151A | VW |
| 2E0698151C | VW |
| 2E0698151F | VW |
| 2E0698151G | VW |
| 8E0698151E | VW |
| JZW698151AA | VW |