



BRAKE PAD

P 50 146

The P 50 146 brake pad is synonymous with reliability

The Brembo brake pad guarantees ultimate safety when braking thanks to the use of more than 100 different compounds, designed according to the type of vehicle and use. Stopping distances reduced to a minimum, maximum driving comfort and silent operation are the most important features of Brembo materials. Brembo brake pads are supplied together with an extensive range of accessories and assembly kits for professional-standard installation.



- ✓ OE-equivalent
- ✓ Brembo quality
- ✓ ECE-R90 certificate
- ✓ Safety
- ✓ Performance
- ✓ Comfort
- ✓ With accessories

Technical specifications

EAN code
8020584115138

Axle
Front

Thickness
19 mm

Width
134 mm

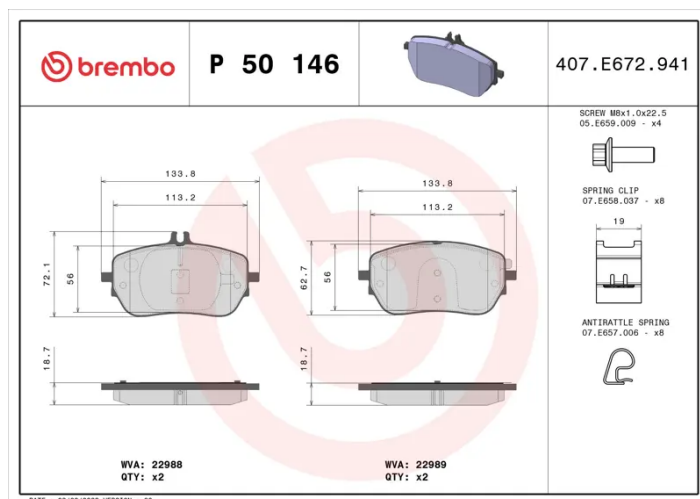
Height
72 mm

Braking system
CBI

Wear indicator
Prepared for wear indicator

WVA number
22988,22989

Accessories
**With accessories
With anti-squeal shim
With brake caliper bolts**



COMPATIBLE VEHICLES

COMPATIBLE OE PART NUMBERS

0004205103 MERCEDES-BENZ

0004206902 MERCEDES-BENZ

0004207000 MERCEDES-BENZ

A0004205103 MERCEDES-BENZ

A0004206902 MERCEDES-BENZ

A0004207000 MERCEDES-BENZ
