



BRAKE PAD

P 65 050

The P 65 050 brake pad is synonymous with reliability

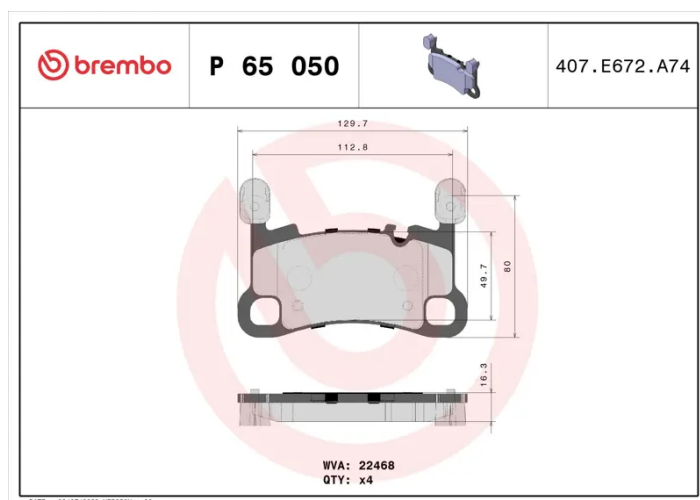
The Brembo brake pad guarantees ultimate safety when braking thanks to the use of more than 100 different compounds, designed according to the type of vehicle and use. Stopping distances reduced to a minimum, maximum driving comfort and silent operation are the most important features of Brembo materials. Brembo brake pads are supplied together with an extensive range of accessories and assembly kits for professional-standard installation.

- ✓ OE-equivalent
- ✓ Brembo quality
- ✓ ECE-R90 certificate
- ✓ Safety
- ✓ Performance
- ✓ Comfort



Technical specifications

EAN code 8020584118559	Axle Rear	Thickness 16 mm
Width 130 mm	Height 80 mm	Braking system Brembo
Wear indicator Prepared for wear indicator	WVA number 22468	Accessories With anti-squeal shim With counterweights



COMPATIBLE VEHICLES

COMPATIBLE OE PART NUMBERS

9V0698451K	PORSCHE
------------	---------

9Y0698451	PORSCHE
-----------	---------

9Y0698451AC	PORSCHE
-------------	---------

9Y0698451H	PORSCHE
------------	---------

9Y0698451K	PORSCHE
------------	---------

9Y0698451P	PORSCHE
------------	---------
