



BRAKE PAD

P 83 151

The P 83 151 brake pad is synonymous with reliability

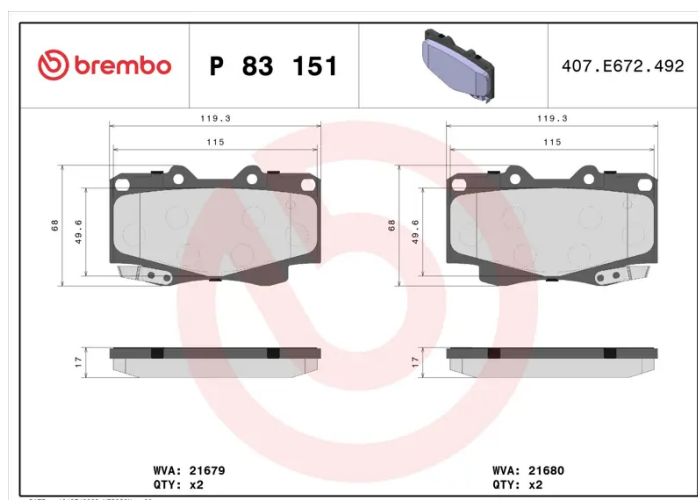
The Brembo brake pad guarantees ultimate safety when braking thanks to the use of more than 100 different compounds, designed according to the type of vehicle and use. Stopping distances reduced to a minimum, maximum driving comfort and silent operation are the most important features of Brembo materials. Brembo brake pads are supplied together with an extensive range of accessories and assembly kits for professional-standard installation.

- ✓ OE-equivalent
- ✓ Brembo quality
- ✓ ECE-R90 certificate
- ✓ Safety
- ✓ Performance
- ✓ Comfort



Technical specifications

EAN code 8020584109885	Axle Front	Thickness 18 mm
Width 119 mm	Height 68 mm	Braking system Sumitomo
Wear indicator Acoustic	WVA number 21679,21680	Accessories With anti-squeal shim



COMPATIBLE VEHICLES

COMPATIBLE OE PART NUMBERS

0446504030	TOYOTA
------------	--------

0446504050	TOYOTA
------------	--------

0446504060	TOYOTA
------------	--------

0446504630	TOYOTA
------------	--------

044650K070	TOYOTA
------------	--------

044650K210	TOYOTA
------------	--------

044650K220	TOYOTA
------------	--------

04465YZZQ5	TOYOTA
------------	--------
