



UPGRADE GT KIT

1M3.8064A_

The 1M3.8064A_ GT kit is synonymous with superior performance

Complete braking systems, comprising components derived from the world of motorsports and offering unrivalled levels of technology on the market. They feature aluminium radial-mounted fixed calipers, with opposing pistons. Depending on the type of system and the required performance level, the calipers can either be in two-parts, monoblock or even monoblock machined from solid billet metal. The uprated brake discs can be integral (one-piece) or composite, drilled or slotted.



- ✓ Brembo quality
- ✓ Safety
- ✓ Performance
- ✓ Comfort
- ✓ Sports driving
- ✓ Sparty look

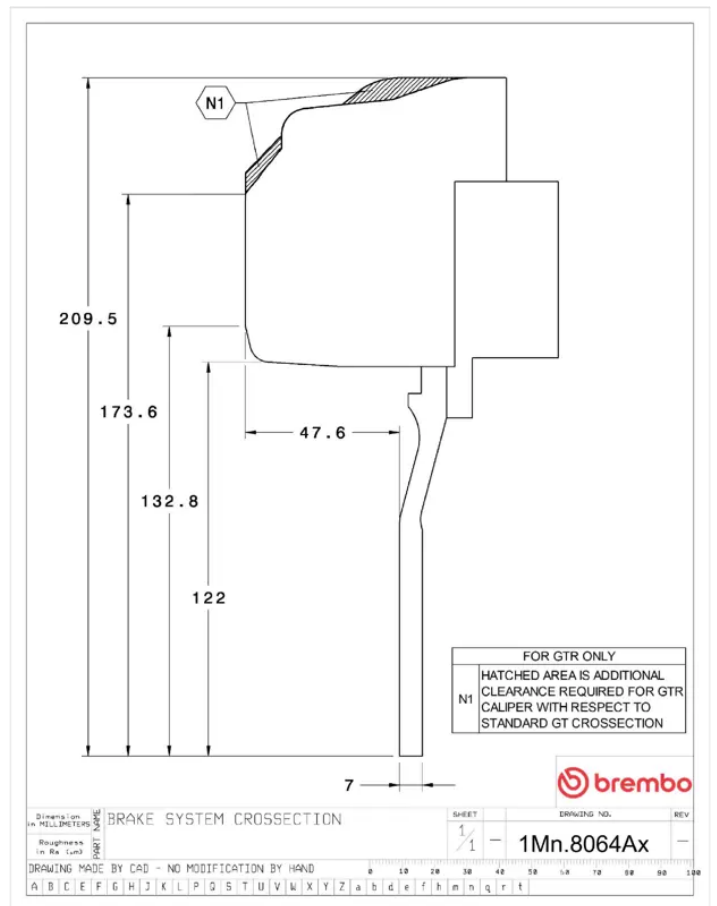
Available in 4 colours

- 1M3.8064A1
- 1M3.8064A2
- 1M3.8064A3
- 1M3.8064A5

Technical specifications



Axle	Diameter	Thickness (TH)
Front	355 mm	32 mm
Caliper pistons	Disc type	Caliper type
6	2 pieces	Monoblock



COMPATIBLE VEHICLES