



# BRAKE DISC PAINTED

## 08.8682.21

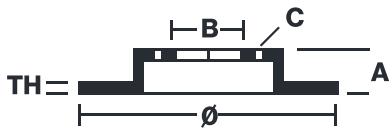
The **08.8682.21** painted brake disc is synonymous with reliability

The Brembo brake disc with special UV paint treatment guarantees superior corrosion resistance for the product, thanks to the protective coating on the outer edges and on the disc hub. The UV paint not only gives the disc a clean, shiny appearance but is also beneficial for the environment as the water-based UV paint treatment does not require the use of chemical solvents and is a low energy consumption process.

- ✓ OE-equivalent
- ✓ Brembo quality
- ✓ ECE-R90 certificate
- ✓ Safety
- ✓ Anti-corrosion
- ✓ Fastening screws



### Technical specifications



EAN code  
**8020584035979**

Axle  
**Front and rear**

Thickness (TH)  
**12 mm**

Height (A)  
**35 mm**

Brake disc type  
**Solid**

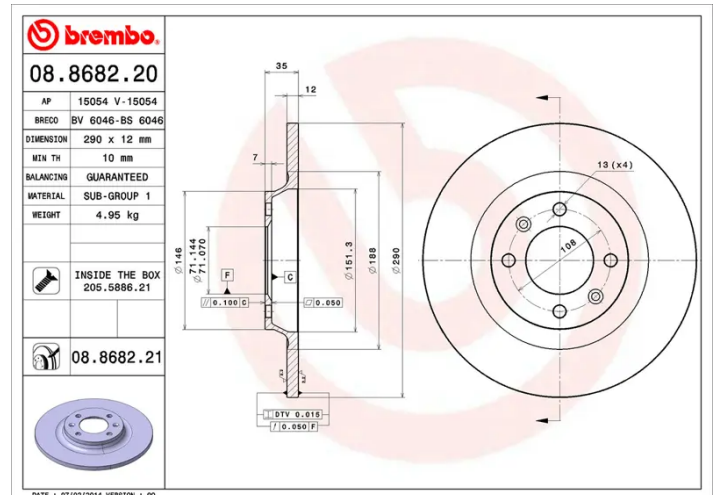
Centering (B)  
**71 mm**

Diameter  $\varnothing$   
**290 mm**

Number of holes (C)  
**4**

Min. thickness  
**10 mm**

Tightening torque  
**90 Nm**



**COMPATIBLE VEHICLES**

## COMPATIBLE OE PART NUMBERS

1611841580	CITROËN
1618864880	CITROËN
4249F7	CITROËN
YL00111080	CITROËN (DF-PSA)
1611841580	DS
1618864880	DS
4249F7	DS
1612905680	DS (CAPSA)
4249F7	DS (CAPSA)
1611841580	PEUGEOT
1618864880	PEUGEOT
4249F7	PEUGEOT
YL00111080	PEUGEOT (DF-PSA)