



BRAKE DISC

08.A332.10

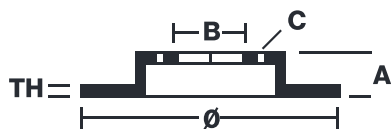
The **08.A332.10** brake disc is synonymous with reliability

The Brembo brake disc is fully interchangeable with an Original Equipment brake disc. The control of the entire production cycle allows Brembo to offer brake discs with outstanding performance levels, reliability, durability and comfort in all conditions of use. All Brembo brake discs are accompanied by the ECE-R90 homologation.

- ✓ OE-equivalent
- ✓ Brembo quality
- ✓ ECE-R90 certificate
- ✓ Safety
- ✓ Fastening screws



Technical specifications



EAN code
8020584018965

Axle
Rear

Diameter \varnothing
288 mm

Thickness (TH)
12 mm

Height (A)
36 mm

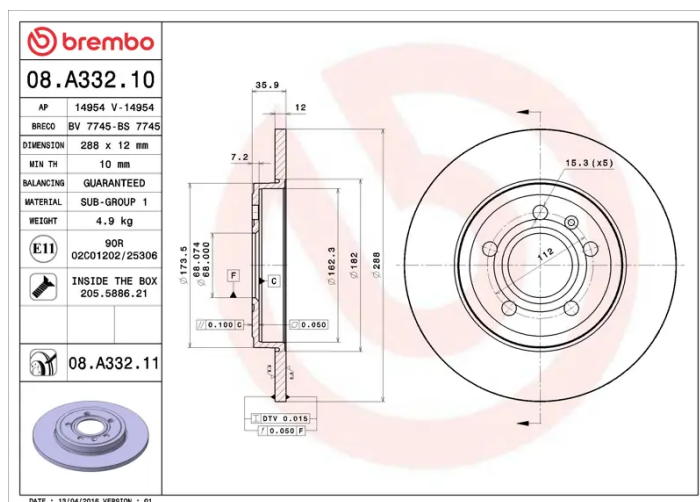
Number of holes (C)
5

Brake disc type
Solid

Centering (B)
68 mm

Min. thickness
10 mm

Tightening torque
120 Nm



COMPATIBLE OE PART NUMBERS

8E0615601M	AUDI
8E0615601M	AUDI (FAW)
8E0615601M	SEAT