



BRAKE DISC

08.A755.20

The **08.A755.20** brake disc is synonymous with reliability

The Brembo brake disc is fully interchangeable with an Original Equipment brake disc. The control of the entire production cycle allows Brembo to offer brake discs with outstanding performance levels, reliability, durability and comfort in all conditions of use. All Brembo brake discs are accompanied by the ECE-R90 homologation.

- ✓ OE-equivalent
- ✓ Brembo quality
- ✓ ECE-R90 certificate
- ✓ Safety



Technical specifications



EAN code
8020584038833

Axle
Rear

Diameter Ø
302 mm

Thickness (TH)
10 mm

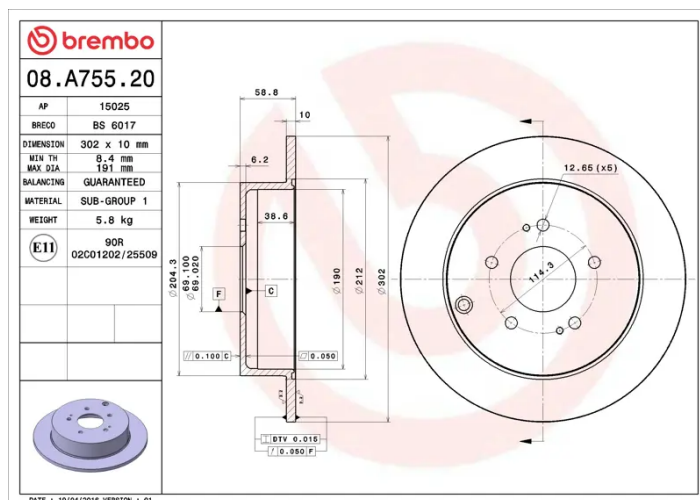
Height (A)
59 mm

Number of holes (C)
5

Brake disc type
Solid

Centering (B)
69 mm

Min. thickness
8,4 mm



COMPATIBLE OE PART NUMBERS

4615A051	MITSUBISHI
----------	------------

4615A112	MITSUBISHI
----------	------------

MN102438T	MITSUBISHI
-----------	------------

MR569681	MITSUBISHI
----------	------------

MR955407	MITSUBISHI
----------	------------

MR955407T	MITSUBISHI
-----------	------------

MR955408	MITSUBISHI
----------	------------