



BRAKE DISC PAINTED

08.D758.11

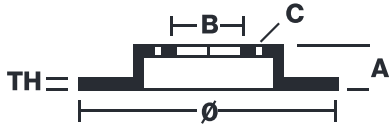
The 08.D758.11 painted brake disc is synonymous with reliability

The Brembo brake disc with special UV paint treatment guarantees superior corrosion resistance for the product, thanks to the protective coating on the outer edges and on the disc hub. The UV paint not only gives the disc a clean, shiny appearance but is also beneficial for the environment as the water-based UV paint treatment does not require the use of chemical solvents and is a low energy consumption process.

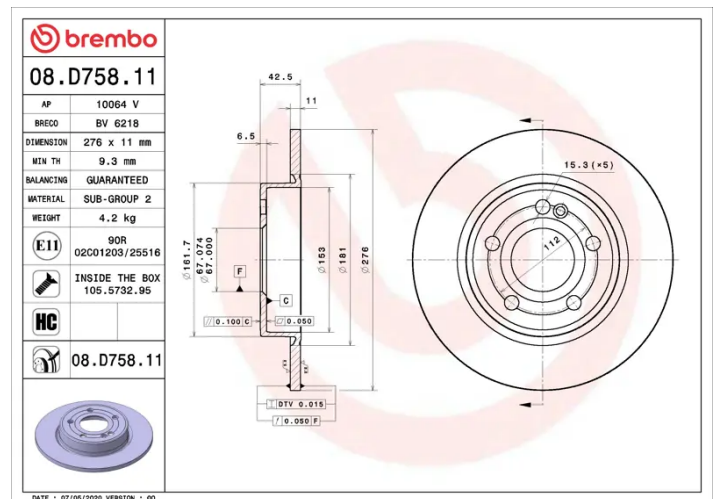


- ✓ OE-equivalent
- ✓ Brembo quality
- ✓ ECE-R90 certificate
- ✓ Safety
- ✓ High carbon
- ✓ Anti-corrosion
- ✓ Fastening screws

Technical specifications



EAN code 8020584312957	Axle Rear	Diameter Ø 276 mm
Thickness (TH) 11 mm	Height (A) 43 mm	Number of holes (C) 5
Brake disc type Solid	Centering (B) 67 mm	Min. thickness 9,3 mm



COMPATIBLE VEHICLES

COMPATIBLE OE PART NUMBERS

2474230112	MERCEDES-BENZ
247423011207	MERCEDES-BENZ
A2474230112	MERCEDES-BENZ
A2474230112	MERCEDES-BENZ (BBDC)