



BRAKE DISC

09.9350.10

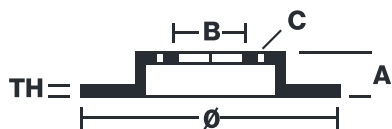
The **09.9350.10** brake disc is synonymous with reliability

The Brembo brake disc is fully interchangeable with an Original Equipment brake disc. The control of the entire production cycle allows Brembo to offer brake discs with outstanding performance levels, reliability, durability and comfort in all conditions of use. All Brembo brake discs are accompanied by the ECE-R90 homologation.

- ✓ OE-equivalent
- ✓ Brembo quality
- ✓ ECE-R90 certificate
- ✓ Safety
- ✓ Fastening screws



Technical specifications



EAN code
8020584935019

Axle
Front

Diameter \varnothing
246 mm

Thickness (TH)
20 mm

Height (A)
50 mm

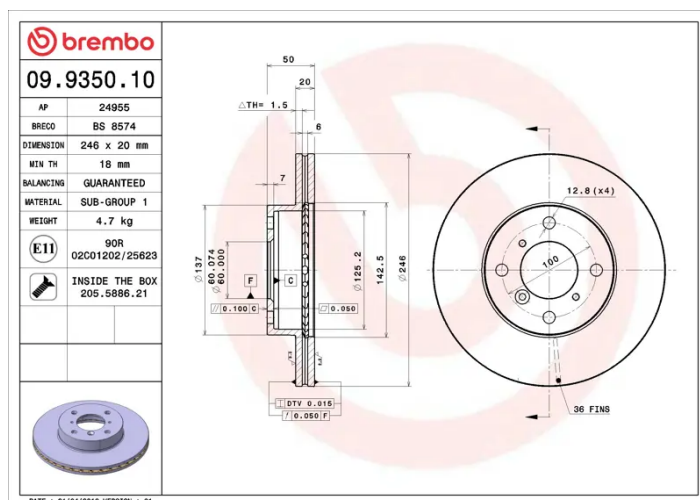
Number of holes (C)
4

Brake disc type
Ventilated

Centering (B)
60 mm

Min. thickness
18 mm

Tightening torque
85 Nm



COMPATIBLE VEHICLES

COMPATIBLE OE PART NUMBERS

5531162G00

SUZUKI

5531162G01

SUZUKI

5531162G02

SUZUKI

5531162G03

SUZUKI

5531162G01

SUZUKI (CHANGHE)
