



BRAKE DISC

09.A235.20

The **09.A235.20** brake disc is synonymous with reliability

The Brembo brake disc is fully interchangeable with an Original Equipment brake disc. The control of the entire production cycle allows Brembo to offer brake discs with outstanding performance levels, reliability, durability and comfort in all conditions of use. All Brembo brake discs are accompanied by the ECE-R90 homologation.

- ✓ OE-equivalent
- ✓ Brembo quality
- ✓ ECE-R90 certificate
- ✓ Safety
- ✓ PVT ventilation
- ✓ Fastening screws



Technical specifications



EAN code
8020584028131

Axle
Front

Diameter Ø
280 mm

Thickness (TH)
28 mm

Height (A)
72 mm

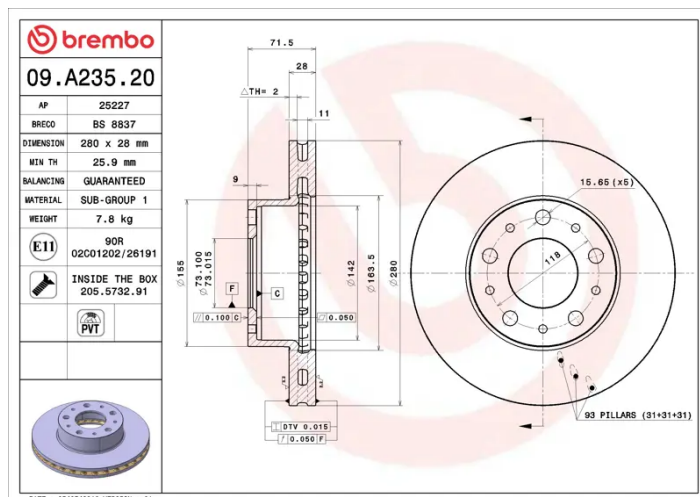
Number of holes (C)
5

Brake disc type
Ventilated

Centering (B)
73 mm

Min. thickness
25,9 mm

Tightening torque
160 Nm



COMPATIBLE VEHICLES

COMPATIBLE OE PART NUMBERS

1607872180 CITROËN

1611842080 CITROËN

1618865280 CITROËN

424929 CITROËN

424998 CITROËN

4249K2 CITROËN

51705449 FIAT

51705749 FIAT

51740246 FIAT

51848620 FIAT

51848621 FIAT

6001073177 FIAT

71773410 FIAT

1607872180 PEUGEOT

1611842080 PEUGEOT

1618865280 PEUGEOT

424928 PEUGEOT

424998 PEUGEOT

4249K2 PEUGEOT
