



BRAKE DISC PAINTED

09.A616.11

The 09.A616.11 painted brake disc is synonymous with reliability

The Brembo brake disc with special UV paint treatment guarantees superior corrosion resistance for the product, thanks to the protective coating on the outer edges and on the disc hub. The UV paint not only gives the disc a clean, shiny appearance but is also beneficial for the environment as the water-based UV paint treatment does not require the use of chemical solvents and is a low energy consumption process.

- ✓ OE-equivalent
- ✓ Brembo quality
- ✓ ECE-R90 certificate
- ✓ Safety
- ✓ High carbon
- ✓ Anti-corrosion



Technical specifications



EAN code
8020584225875

Axle
Rear

Diameter Ø
314 mm

Thickness (TH)
22 mm

Height (A)
76 mm

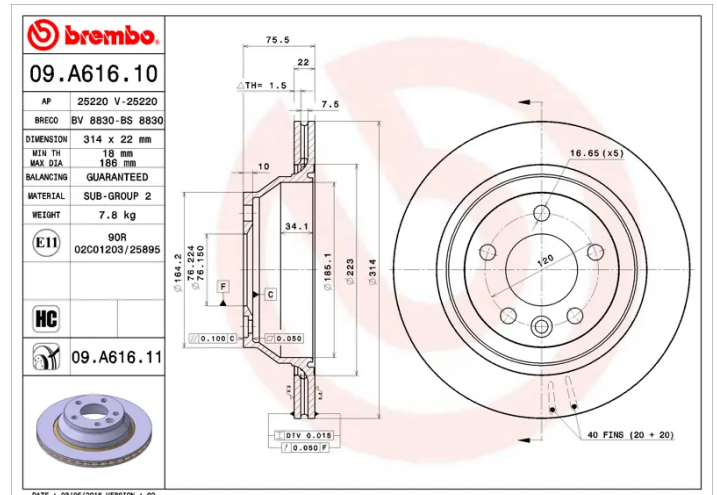
Number of holes (C)
5

Brake disc type
Ventilated

Centering (B)
76 mm

Min. thickness
18 mm

Tightening torque
170 Nm



COMPATIBLE VEHICLES

COMPATIBLE OE PART NUMBERS

7L6615601C	VW
------------	----

7L6615601E	VW
------------	----

7L6615601G	VW
------------	----
