



BRAKE DISC

09.A818.10

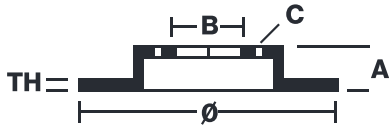
The **09.A818.10** brake disc is synonymous with reliability

The Brembo brake disc is fully interchangeable with an Original Equipment brake disc. The control of the entire production cycle allows Brembo to offer brake discs with outstanding performance levels, reliability, durability and comfort in all conditions of use. All Brembo brake discs are accompanied by the ECE-R90 homologation.

- ✓ OE-equivalent
- ✓ Brembo quality
- ✓ ECE-R90 certificate
- ✓ Safety
- ✓ High carbon
- ✓ Fastening screws



Technical specifications



EAN code
8020584030295

Axle
Rear

Diameter Ø
320 mm

Thickness (TH)
24 mm

Height (A)
59 mm

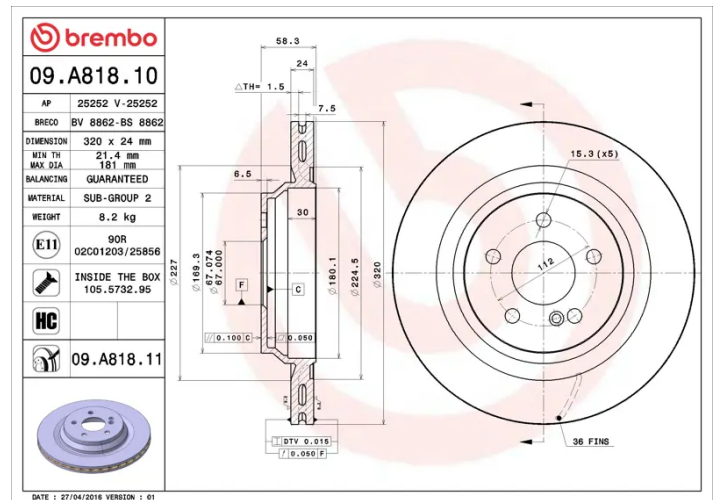
Number of holes (C)
5

Brake disc type
Ventilated

Centering (B)
67 mm

Min. thickness
21,4 mm

Tightening torque
150 Nm



COMPATIBLE VEHICLES

COMPATIBLE OE PART NUMBERS

A2214230412

BRABUS

A2214231012

BRABUS

2214230412

MERCEDES-BENZ

2214231012

MERCEDES-BENZ

A2214230412

MERCEDES-BENZ

A2214231012

MERCEDES-BENZ
