



BRAKE DISC PAINTED

09.C377.11

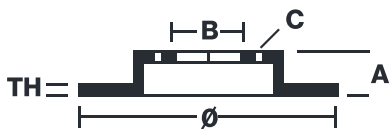
The **09.C377.11** painted brake disc is synonymous with reliability

The Brembo brake disc with special UV paint treatment guarantees superior corrosion resistance for the product, thanks to the protective coating on the outer edges and on the disc hub. The UV paint not only gives the disc a clean, shiny appearance but is also beneficial for the environment as the water-based UV paint treatment does not require the use of chemical solvents and is a low energy consumption process.

- ✓ OE-equivalent
- ✓ Brembo quality
- ✓ ECE-R90 certificate
- ✓ Safety
- ✓ High carbon
- ✓ Anti-corrosion



Technical specifications



EAN code
8020584225349

Axle
Front

Diameter Ø
321 mm

Thickness (TH)
30 mm

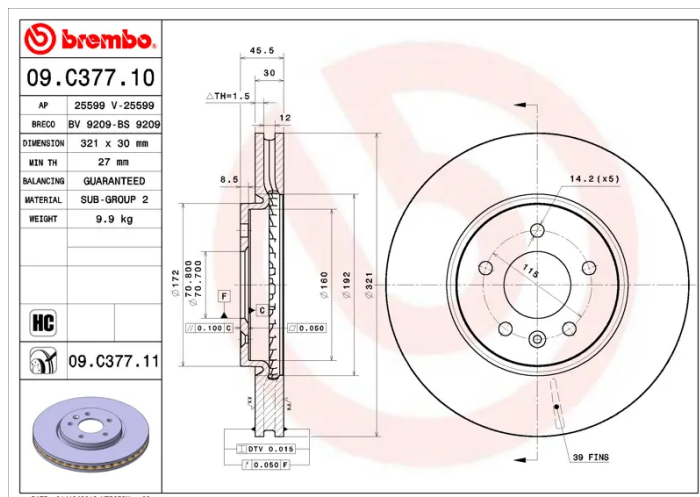
Height (A)
46 mm

Number of holes (C)
5

Brake disc type
Ventilated

Centering (B)
71 mm

Min. thickness
27 mm



COMPATIBLE OE PART NUMBERS

13502826	OPEL
----------	------

13586854	OPEL
----------	------

569077	OPEL
--------	------

569092	OPEL
--------	------

95527034	OPEL
----------	------

13502826	VAUXHALL
----------	----------

13586854	VAUXHALL
----------	----------

95527034	VAUXHALL
----------	----------
