



BRAKE DISC XTRA

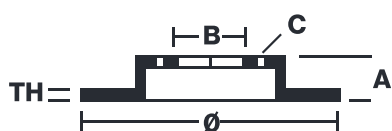
09.C422.1X

The 09.C422.1X Xtra brake disc is synonymous with reliability

The Brembo Xtra brake disc features holes on the braking surface. The holes are designed to improve the cooling of the braking system, to generate greater fading resistance and grip in the initial stages of braking. The sports look is also enhanced by the presence of the UV paint.

- ✓ Brembo quality
- ✓ ECE-R90 certificate
- ✓ Performance
- ✓ Sports driving
- ✓ Sporty look
- ✓ High carbon
- ✓ Anti-corrosion

Technical specifications



EAN code
8020584341636

Axle
Front

Diameter Ø
278 mm

Thickness (TH)
23 mm

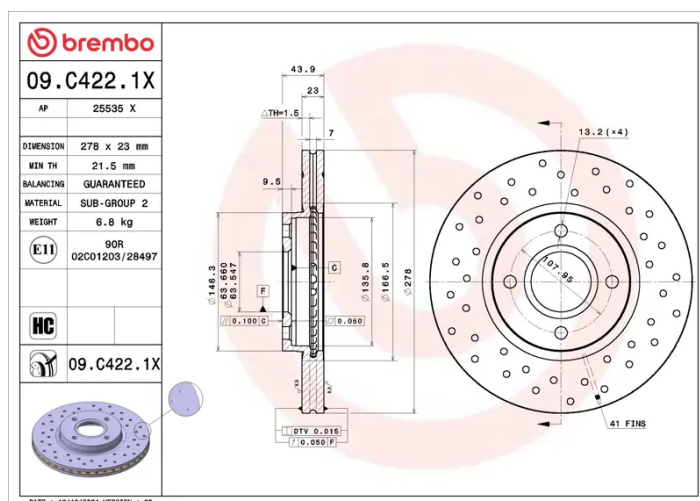
Height (A)
43,9 mm

Number of holes (C)
4

Brake disc type
Ventilated

Centering (B)
63,5 mm

Min. thickness
21,5 mm



COMPATIBLE VEHICLES

COMPATIBLE OE PART NUMBERS

1751584	FORD
1833857	FORD
1833867	FORD
AY111125AA	FORD
EY161125AA	FORD
EY161125BA	FORD
AY111125AA	FORD ASIA & OCEANIA
AY1Z1125A	FORD USA