



BRAKE DISC LIGHTWEIGHT

09.D549.23

LightWeight brake disc 09.D549.23 belongs to Brembo Premium Line

The LightWeight brake disc solution is characterised by a high-carbon cast iron braking surface connected by pressure to the steel hat. It is up to 15% lighter than an equivalent integral disc. As a result, it significantly improves the road behaviour of the vehicle and reduces fuel consumption and emissions as well.

- ✓ OE-equivalent
- ✓ Brembo quality
- ✓ ECE-R90 certificate
- ✓ Weight reduction
- ✓ High carbon
- ✓ Bi-Material Brake Disc
- ✓ Anti-corrosion
- ✓ Fading resistance



Technical specifications



EAN code
8020584316016

Axle
Front

Diameter \varnothing
349 mm

Thickness (TH)
34 mm

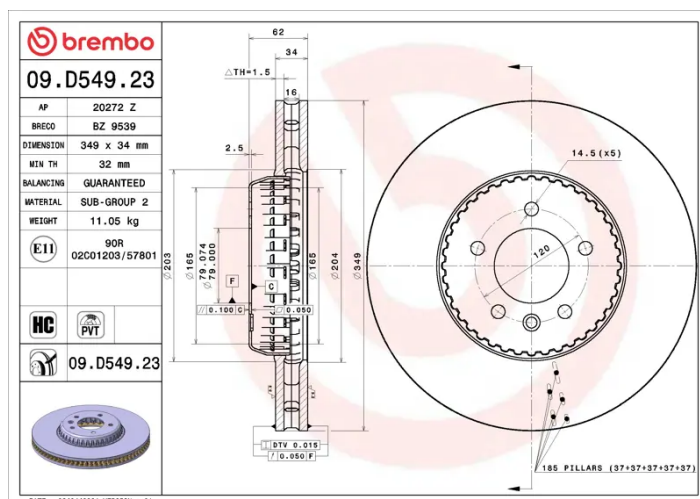
Height (A)
62 mm

Number of holes (C)
5

Brake disc type
Ventilated

Centering (B)
79 mm

Min. thickness
32 mm



COMPATIBLE VEHICLES

COMPATIBLE OE PART NUMBERS

LR132808	LAND ROVER
----------	------------

LR161895	LAND ROVER
----------	------------

LR187240	LAND ROVER
----------	------------
