



BRAKE DISC PAINTED

09.N236.11

The 09.N236.11 painted brake disc is synonymous with reliability

The Brembo brake disc with special UV paint treatment guarantees superior corrosion resistance for the product, thanks to the protective coating on the outer edges and on the disc hub. The UV paint not only gives the disc a clean, shiny appearance but is also beneficial for the environment as the water-based UV paint treatment does not require the use of chemical solvents and is a low energy consumption process.

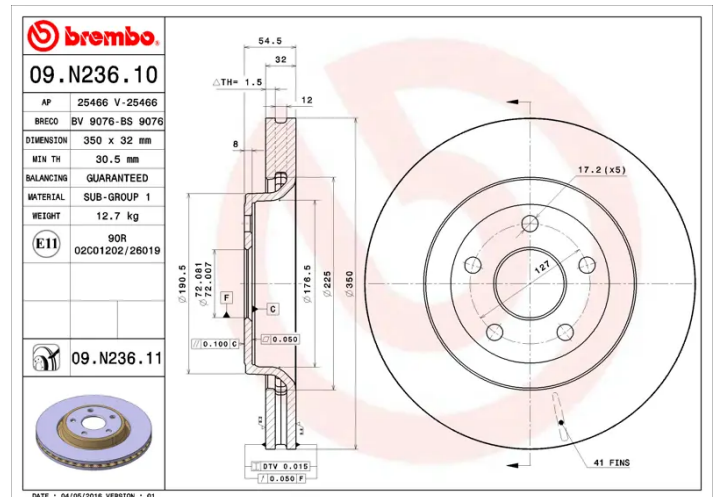
- ✓ OE-equivalent
- ✓ Brembo quality
- ✓ ECE-R90 certificate
- ✓ Safety
- ✓ Anti-corrosion



Technical specifications



EAN code	Diameter \varnothing	
8020584224908	350 mm	
Thickness (TH)	Height (A)	Number of holes (C)
32 mm	55 mm	5
Brake disc type	Centering (B)	Min. thickness
Ventilated	72 mm	30,5 mm



COMPATIBLE VEHICLES