



# BEYOND EV KIT

## KT 08 001

**EV Kit KT 08 001 comprises brake discs and pads designed for electric cars**

The use of regenerative braking, in electric vehicles, entails a more discontinuous use of the friction brake compared to a car with a combustion engine. For this reason, special attention is required to avoid the corrosion of brake discs and brake pads. The Brembo EV brake kit, comprising brake discs and brake pads dedicated specifically to electric cars, avoids early corrosion of the braking system, keeping it effective and safe for longer.

- ✓ Brembo quality
- ✓ ECE-R90 certificate
- ✓ Comfort
- ✓ Durability
- ✓ Dust reduction
- ✓ Quick assembly
- ✓ Anti-corrosion
- ✓ Kit

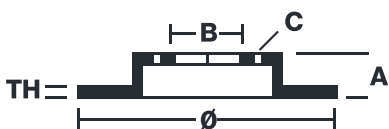


### Kit information

EAN code	Brake discs per box	Brake pads per box
<b>8432509503058</b>	<b>2</b>	<b>4</b>

Axle  
Front

### Brake disc technical specifications



Diameter	Thickness (TH)	Height (A)
<b>320 mm</b>	<b>25 mm</b>	<b>68 mm</b>
Number of holes (C)	Brake disc type	Centering (B)
<b>5</b>	<b>Solid</b>	<b>70 mm</b>
Min. thickness		

**09.N360.1E**

DIMENSION	320 x 25 mm
MIN TH	23 mm
BALANCING	GUARANTEED
MATERIAL	SUB-GROUP 1
WEIGHT	9.5 Kg
E11	90R
	02C01202/48335

**09.N360.1E**

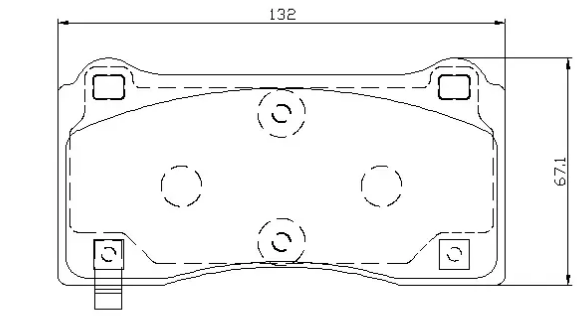
DATE : 16/09/2021 VERSION : 00

23 mm

## Brake pad technical specifications

Thickness	Width	Height
<b>25 mm</b>	<b>132 mm</b>	<b>67 mm</b>
Braking system	Wear indicator	WVA number
<b>Brembo</b>	<b>Acoustic</b>	<b>26275</b>

Accessories  
**With anti-squeal shim**



4PCS/SET

COMPATIBLE VEHICLES

## COMPATIBLE OE PART NUMBERS

1044611	TESLA
104461100D	TESLA
800824000A	TESLA
800824000B	TESLA
800824000C	TESLA