



DRUM

14.5596.10

The 14.5596.10 drum is synonymous with reliability

Brembo has developed several design solutions for drum brakes which combine multiple materials to reduce the overall weight. The most popular range of lamellar graphite cast iron drums is supplemented by cast iron drums with a steel sprocket flange and aluminium drums, whereby only the inner part of the drum on which the shoes operate are made of lamellar cast iron, namely the brake band. Additionally drums with built-in bearing kit and hub are added to this range.



- ✓ OE-equivalent
- ✓ Brembo quality
- ✓ Safety
- ✓ Durability

Technical specifications



EAN code
8020584559611

Axle
Rear

Diameter
228 mm

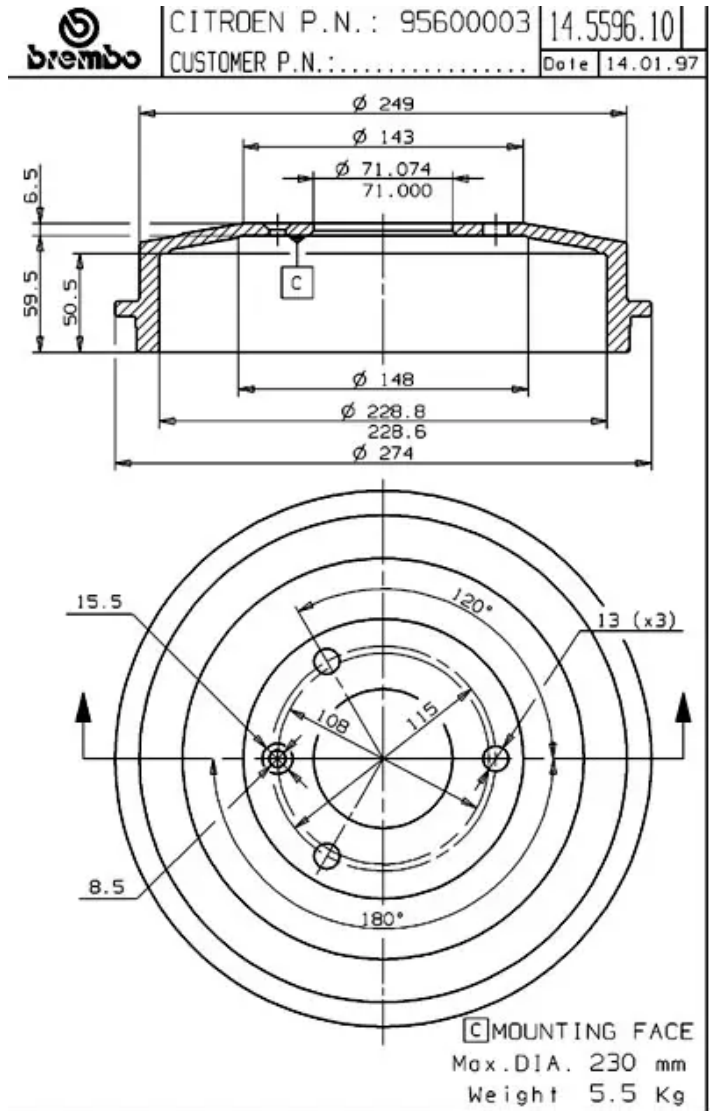
Width
50,5 mm

Height
66

Number of holes
3

Centering
71 mm

Max diameter
230 mm



COMPATIBLE VEHICLES

COMPATIBLE OE PART NUMBERS

95600003

CITROËN