



BRAKE PAD PRIME CERAMIC P06057N

The P06057N NAO brake pad is synonymous with reliability

Brembo NAO brake pads stand out for their ultimate braking comfort, reduced friction wear and low dust mission, which makes for cleaner rims and reduced maintenance requirements. The advanced friction material in keeping with the strictest environmental standards is the main distinguishing feature of NAO compounds.

- ✓ OE-equivalent
- ✓ Brembo quality
- ✓ Safety
- ✓ Comfort
- ✓ Durability
- ✓ Dust reduction
- ✓ With accessories



Technical specifications

EAN code
8020584087985

Axle
Front

Thickness
20 mm

Width
155 mm

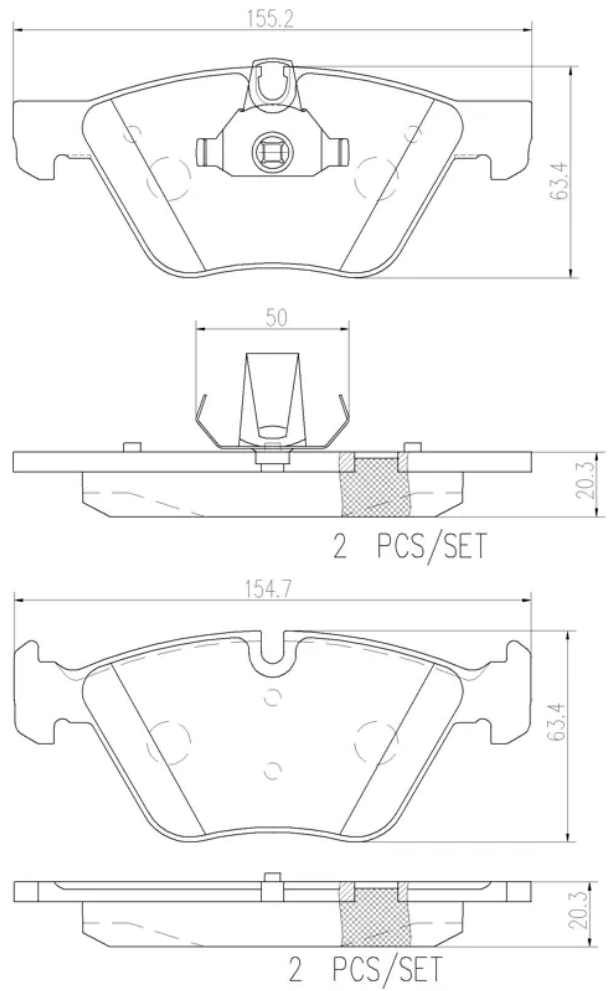
Height
63 mm

Braking system
Teves

Wear indicator
Prepared for wear indicator

WVA number
23794,23793

Accessories
**With accessories
With piston clip
With anti-squeal shim**



COMPATIBLE VEHICLES

COMPATIBLE OE PART NUMBERS

34112339267	BMW
34112339268	BMW
34116763617	BMW
34116763618	BMW
34116797858	BMW