



BRAKE PAD XTRA CERAMIC P10064NX

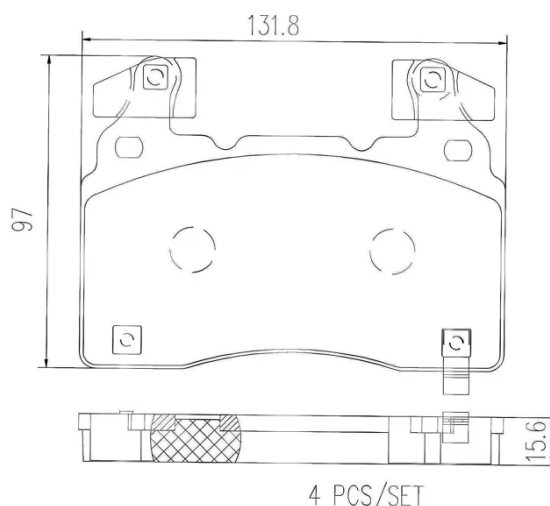
Xtra Ceramic brake pad P10064NX belongs to Brembo Cool Line

Brembo Xtra Ceramic brake pads have a specific compound which, beside being copper free, also contains less metal compared to Xtra pads. This feature make Xtra Ceramic more focused on comfort and cleaner rims, thanks to the ceramic friction material, while guaranteeing the top performance proper of the Xtra line. Xtra Ceramic range is fully ECE R90 homologated.

- ✓ Brembo quality
- ✓ ECE-R90 certificate
- ✓ Safety
- ✓ Performance
- ✓ Dust reduction
- ✓ Comfort

Technical specifications

EAN code	Axle	Thickness
8020584130995	Front	16 mm
Width	Height	Braking system
132 mm	97 mm	Brembo
Wear indicator	WVA number	Accessories
Acoustic	25915	With anti-squeal shim With counterweights



COMPATIBLE VEHICLES

COMPATIBLE OE PART NUMBERS

22907156	CHEVROLET
23441307	CHEVROLET
92244289	CHEVROLET
92291022	CHEVROLET
22976409	GENERAL MOTORS
92277173	GENERAL MOTORS
92291022	GENERAL MOTORS
23441307	OPEL
84732488	OPEL
600642900B	TESLA
84732488	VAUXHALL
3510H01ED1	XPENG
3510H01ED10001	XPENG