



BRAKE PAD XTRA CERAMIC P11040NX

Xtra Ceramic brake pad P11040NX belongs to Brembo Cool Line

Brembo Xtra Ceramic brake pads have a specific compound which, beside being copper free, also contains less metal compared to Xtra pads. This feature make Xtra Ceramic more focused on comfort and cleaner rims, thanks to the ceramic friction material, while guaranteeing the top performance proper of the Xtra line. Xtra Ceramic range is fully ECE R90 homologated.

- ✓ Brembo quality
- ✓ ECE-R90 certificate
- ✓ Safety
- ✓ Performance
- ✓ Dust reduction
- ✓ Comfort

Technical specifications

EAN code
8020584131084

Axle
Rear

Thickness
18 mm

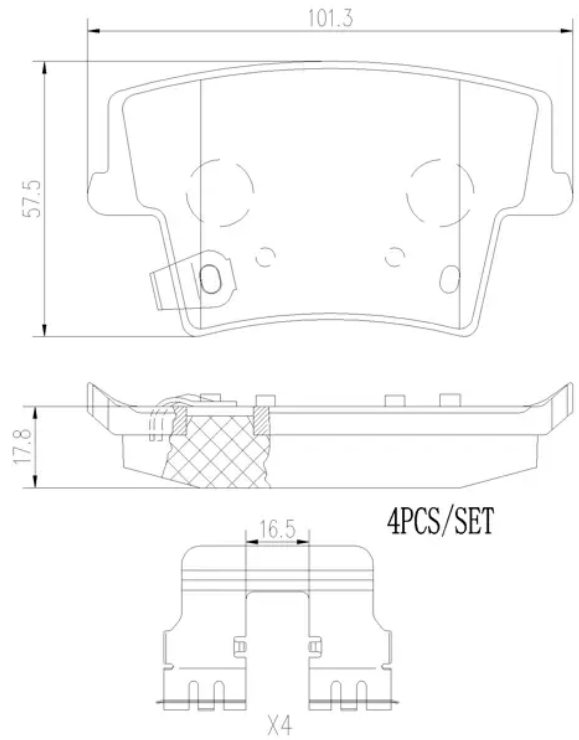
Width
102 mm

Height
58 mm

Wear indicator
Acoustic

WVA number
22209

Accessories
With anti-squeal shim



COMPATIBLE OE PART NUMBERS

05142560AA	CHRYSLER
05142560AB	CHRYSLER
05142561AB	CHRYSLER
5137672AA	CHRYSLER
5142560AA	CHRYSLER
5142560AB	CHRYSLER
5142561AB	CHRYSLER
5172560AA	CHRYSLER
K5142560AA	CHRYSLER
K5142560AB	CHRYSLER
00K68001440AC	DODGE
05175818AA	DODGE
5137672AA	DODGE
5172560AA	DODGE
5175818AA	DODGE
68001440AC	DODGE