



BRAKE PAD PRIME CERAMIC

P30009N

The P30009N NAO brake pad is synonymous with reliability

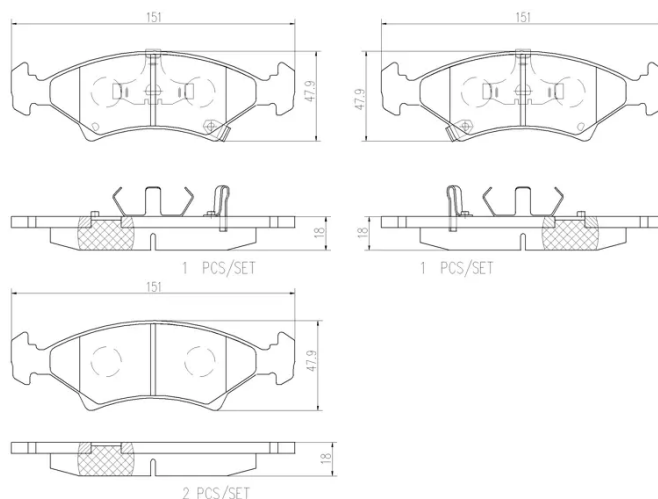
Brembo NAO brake pads stand out for their ultimate braking comfort, reduced friction wear and low dust mission, which makes for cleaner rims and reduced maintenance requirements. The advanced friction material in keeping with the strictest environmental standards is the main distinguishing feature of NAO compounds.

- ✓ OE-equivalent
- ✓ Brembo quality
- ✓ Safety
- ✓ Comfort
- ✓ Durability
- ✓ Dust reduction
- ✓ With accessories



Technical specifications

EAN code 8020584085981	Axle Front	Thickness 18 mm
Width 151 mm	Height 48 mm	Braking system Teves
Wear indicator Acoustic	WVA number 23384,23385,23386	Accessories With accessories With anti-squeal shim With piston clip



COMPATIBLE VEHICLES

COMPATIBLE OE PART NUMBERS

0K20A3323Z	KIA
------------	-----

0K2393323Z	KIA
------------	-----

0K2403323Z	KIA
------------	-----

0K2403323ZA	KIA
-------------	-----

0K2A43323Z	KIA
------------	-----

0K2X33323Z	KIA
------------	-----

0K2Y13323Z	KIA
------------	-----

0K2Y33323Z	KIA
------------	-----