



# BRAKE PAD PRIME CERAMIC P30096N

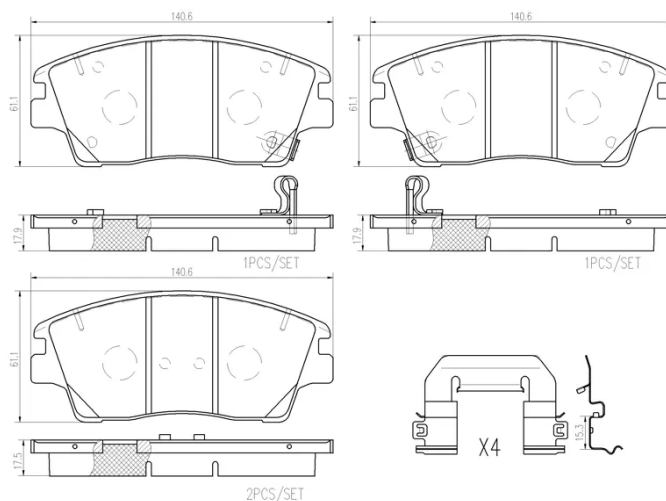
The P30096N NAO brake pad is  
synonymous with reliability

Brembo NAO brake pads stand out for their ultimate braking comfort, reduced friction wear and low dust mission, which makes for cleaner rims and reduced maintenance requirements. The advanced friction material in keeping with the strictest environmental standards is the main distinguishing feature of NAO compounds.

- ✓ OE-equivalent
- ✓ Brembo quality
- ✓ Safety
- ✓ Comfort
- ✓ Durability
- ✓ Dust reduction
- ✓ With accessories

## Technical specifications

EAN code <b>8020584115398</b>	Axle <b>Front</b>	Thickness <b>19 mm</b>
Width <b>141 mm</b>	Height <b>61 mm</b>	Braking system <b>Akebono</b>
Wear indicator <b>Acoustic</b>	WVA number <b>22329,22330,22331</b>	Accessories <b>With anti-squeal shim</b>



COMPATIBLE VEHICLES

## COMPATIBLE OE PART NUMBERS

58101D3A00	HYUNDAI
------------	---------

58101D3A10	HYUNDAI
------------	---------

58101D3A11	HYUNDAI
------------	---------

58101D7A10	HYUNDAI
------------	---------

58101D9A00	HYUNDAI
------------	---------

58101F2A50	HYUNDAI
------------	---------

58101D3A10	KIA
------------	-----

58101D3A11	KIA
------------	-----

58101D7A10	KIA
------------	-----

58101D9A00	KIA
------------	-----