



# BRAKE PAD PRIME CERAMIC P54031N

The P54031N NAO brake pad is synonymous with reliability

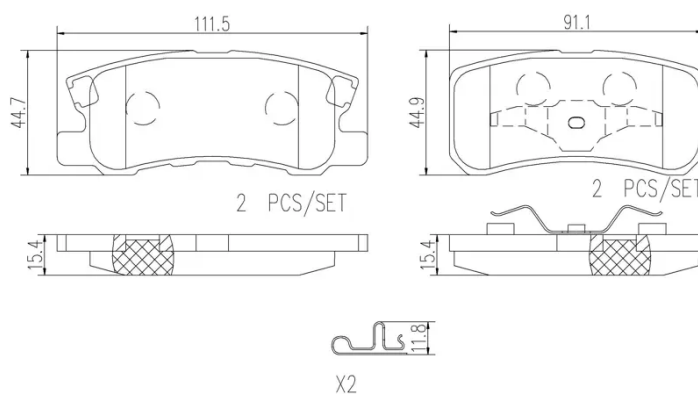
Brembo NAO brake pads stand out for their ultimate braking comfort, reduced friction wear and low dust mission, which makes for cleaner rims and reduced maintenance requirements. The advanced friction material in keeping with the strictest environmental standards is the main distinguishing feature of NAO compounds.

- ✓ OE-equivalent
- ✓ Brembo quality
- ✓ Safety
- ✓ Comfort
- ✓ Durability
- ✓ Dust reduction
- ✓ With accessories



## Technical specifications

EAN code <b>8020584112434</b>	Axle <b>Rear</b>	Thickness <b>15 mm</b>
Width <b>91 mm</b>	Height <b>45 mm</b>	Braking system <b>Akebono</b>
Wear indicator <b>Acoustic</b>	WVA number <b>23582,23583</b>	Accessories <b>With accessories</b> <b>With anti-squeal shim</b> <b>With piston clip</b>



COMPATIBLE VEHICLES

## COMPATIBLE OE PART NUMBERS

128419107	BAIC WEIWANG
068020256AA	CHRYSLER
68020256AA	CHRYSLER
K68028671AA	CHRYSLER
V2011271AA	CHRYSLER
V2011271AB	CHRYSLER
V2018671AA	CHRYSLER
1606294580	CITROËN
1617265280	CITROËN
425390	CITROËN
425391	CITROËN
425448	CITROËN
2AMV4671AA	DODGE
68028671AA	DODGE
68033078AA	DODGE
K68033078AA	DODGE
V2018671AA	DODGE
V2018671AB	DODGE
V2018671AA	JEEP
K68020256AA	LANCIA
K68020262AA	LANCIA
K68028671AA	LANCIA
1606294580	MITSUBISHI
4605A265	MITSUBISHI
4605A447	MITSUBISHI
4605A448	MITSUBISHI
4605A487	MITSUBISHI
4605A502	MITSUBISHI
MN102628	MITSUBISHI
MR510544	MITSUBISHI
MZ690183	MITSUBISHI
MZ690346	MITSUBISHI
MZ690574	MITSUBISHI
4605B253	MITSUBISHI (GAC)
1611838980	PEUGEOT
425390	PEUGEOT
425391	PEUGEOT
425448	PEUGEOT