

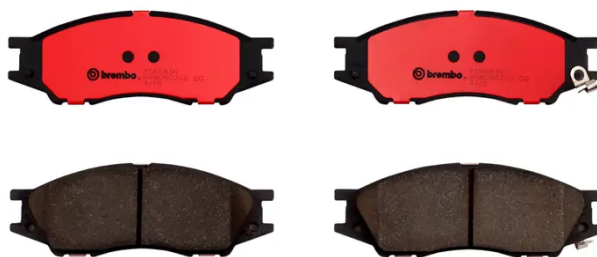


BRAKE PAD PRIME CERAMIC P56083N

The P56083N NAO brake pad is synonymous with reliability

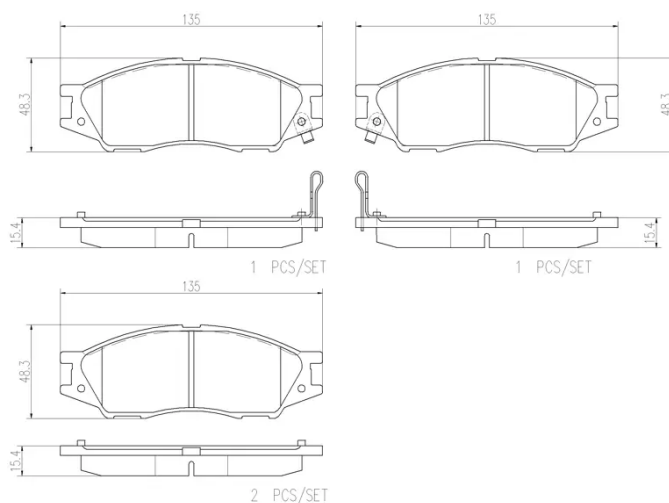
Brembo NAO brake pads stand out for their ultimate braking comfort, reduced friction wear and low dust mission, which makes for cleaner rims and reduced maintenance requirements. The advanced friction material in keeping with the strictest environmental standards is the main distinguishing feature of NAO compounds.

- ✓ OE-equivalent
- ✓ Brembo quality
- ✓ Safety
- ✓ Comfort
- ✓ Durability
- ✓ Dust reduction
- ✓ With accessories



Technical specifications

EAN code 8020584085530	Axle Front	Thickness 15 mm
Width 135 mm	Height 48 mm	Braking system Akebono
Wear indicator Acoustic	WVA number 24647,24648,24649	Accessories With anti-squeal shim



COMPATIBLE VEHICLES

COMPATIBLE OE PART NUMBERS

1N073328Z	MAZDA
-----------	-------

1N083328Z	MAZDA
-----------	-------

1N133328Z	MAZDA
-----------	-------

1N143328Z	MAZDA
-----------	-------

1N173328Z	MAZDA
-----------	-------

1N193328Z	MAZDA
-----------	-------

1N213328Z	MAZDA
-----------	-------

1V6T3328Z	MAZDA
-----------	-------

1V6T3328ZA	MAZDA
------------	-------

MN102192	MAZDA
----------	-------

410604M490	NISSAN
------------	--------

410606N090	NISSAN
------------	--------

410606N091	NISSAN
------------	--------

410606N0X1	NISSAN
------------	--------

4106095F0A	NISSAN
------------	--------

4106095F0B	NISSAN
------------	--------

41060AN090	NISSAN
------------	--------

41060WA490	NISSAN
------------	--------

41060WD290	NISSAN
------------	--------

410804M425	NISSAN
------------	--------

AY040NS053	NISSAN
------------	--------

AY040NS072	NISSAN
------------	--------

AY040NS073	NISSAN
------------	--------

AY040NS084	NISSAN
------------	--------

AY040NS096	NISSAN
------------	--------

AY040NS100	NISSAN
------------	--------

AY040NS108	NISSAN
------------	--------

D10606N091	NISSAN
------------	--------

D10606N0X1	NISSAN
------------	--------

D10606N0X2	NISSAN
------------	--------

D10606N0X3	NISSAN
------------	--------