

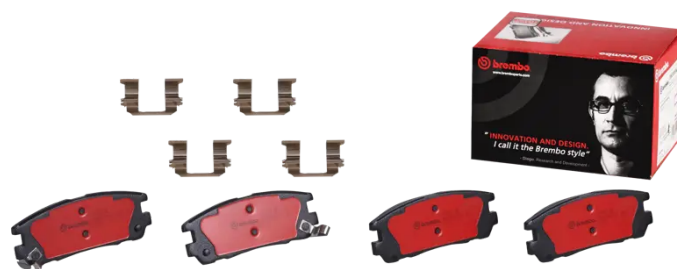


BRAKE PAD PRIME CERAMIC P59021N

The P59021N NAO brake pad is synonymous with reliability

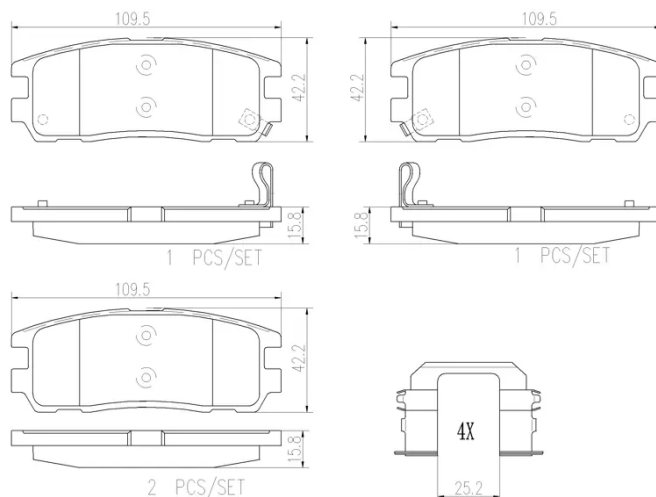
Brembo NAO brake pads stand out for their ultimate braking comfort, reduced friction wear and low dust mission, which makes for cleaner rims and reduced maintenance requirements. The advanced friction material in keeping with the strictest environmental standards is the main distinguishing feature of NAO compounds.

- ✓ OE-equivalent
- ✓ Brembo quality
- ✓ Safety
- ✓ Comfort
- ✓ Durability
- ✓ Dust reduction
- ✓ With accessories



Technical specifications

EAN code 8020584099070	Axle Rear	Thickness 16 mm
Width 110 mm	Height 42 mm	Braking system Sumitomo
Wear indicator Acoustic	WVA number 21875,21876,21877	Accessories With anti-squeal shim



COMPATIBLE VEHICLES

COMPATIBLE OE PART NUMBERS

128421780	BAIC-ORV
3502150K00	GREAT WALL
3502177K00J	GREAT WALL
3502277K00J	GREAT WALL
3502278K00J	GREAT WALL
3502150K00	HAVAL
3502177K00J	HAVAL
3502277K00J	HAVAL
3502278K00J	HAVAL
8971317490	HONDA
8971755300	HONDA
897035266	ISUZU
8970352660	ISUZU
897039269	ISUZU
8970392690	ISUZU
8970392691	ISUZU
897070080	ISUZU
8970700800	ISUZU
8971317490	ISUZU
897175530	ISUZU
897191015	ISUZU
8971910150	ISUZU
897206870	ISUZU
8972068700	ISUZU
897206872	ISUZU
8972068720	ISUZU
897206873	ISUZU
8972068730	ISUZU
897217816	ISUZU
8972178160	ISUZU
8972178161	ISUZU
AY0605Z001	NISSAN
1605851	OPEL
97039269	OPEL
9739269	OPEL