

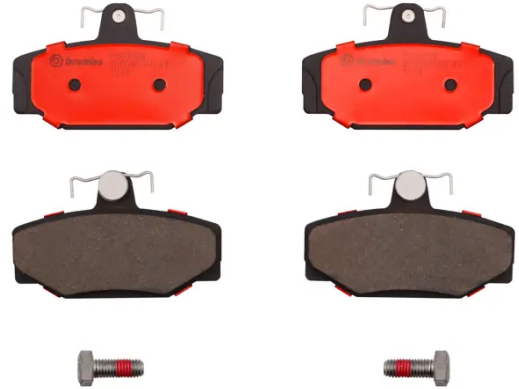


# BRAKE PAD PRIME CERAMIC P86009N

**The P86009N NAO brake pad is synonymous with reliability**

Brembo NAO brake pads stand out for their ultimate braking comfort, reduced friction wear and low dust mission, which makes for cleaner rims and reduced maintenance requirements. The advanced friction material in keeping with the strictest environmental standards is the main distinguishing feature of NAO compounds.

- ✓ OE-equivalent
- ✓ Brembo quality
- ✓ Safety
- ✓ Comfort
- ✓ Durability
- ✓ Dust reduction
- ✓ With accessories



## Technical specifications

EAN code  
**8020584080573**

Axle  
**Rear**

Thickness  
**13 mm**

Width  
**90 mm**

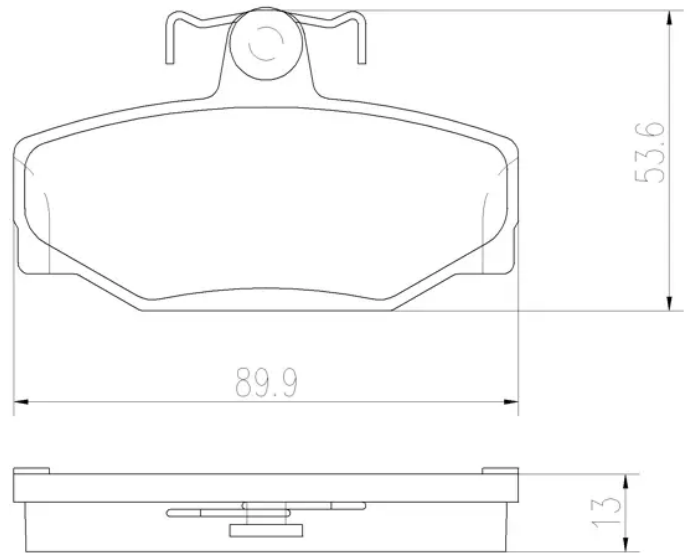
Height  
**54 mm**

Braking system  
**Girling**

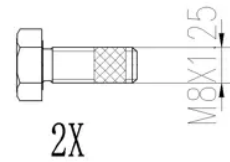
Wear indicator  
**Without**

WVA number  
**21385**

Accessories  
**With accessories  
With anti-squeal  
shim  
With brake caliper  
bolts**



4 PCS/SET



COMPATIBLE VEHICLES

## COMPATIBLE OE PART NUMBERS

|           |       |
|-----------|-------|
| 270923    | VOLVO |
| 2709230   | VOLVO |
| 2709236   | VOLVO |
| 271573    | VOLVO |
| 2715730   | VOLVO |
| 2715738   | VOLVO |
| 271829    | VOLVO |
| 2718290   | VOLVO |
| 2718294   | VOLVO |
| 271958    | VOLVO |
| 272291    | VOLVO |
| 2722910   | VOLVO |
| 2722916   | VOLVO |
| 31261186  | VOLVO |
| 312611860 | VOLVO |