



BRAKE PAD

P 23 045

The P 23 045 brake pad is synonymous with reliability

The Brembo brake pad guarantees ultimate safety when braking thanks to the use of more than 100 different compounds, designed according to the type of vehicle and use. Stopping distances reduced to a minimum, maximum driving comfort and silent operation are the most important features of Brembo materials. Brembo brake pads are supplied together with an extensive range of accessories and assembly kits for professional-standard installation.

- ✓ OE-equivalent
- ✓ Brembo quality
- ✓ ECE-R90 certificate
- ✓ Safety
- ✓ Performance
- ✓ Comfort
- ✓ With accessories



Technical specifications

EAN code
8020584051153

Axle
Front

Thickness
19 mm

Width
110 mm

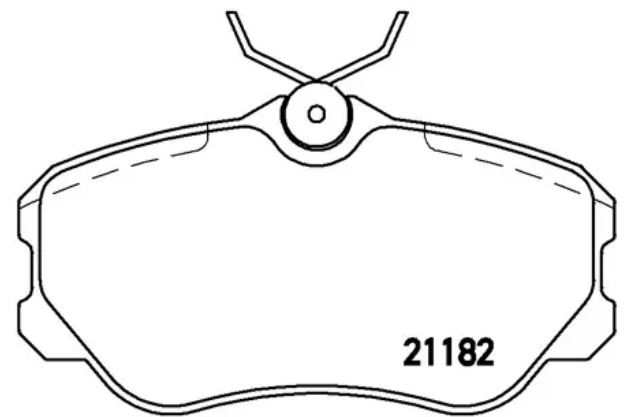
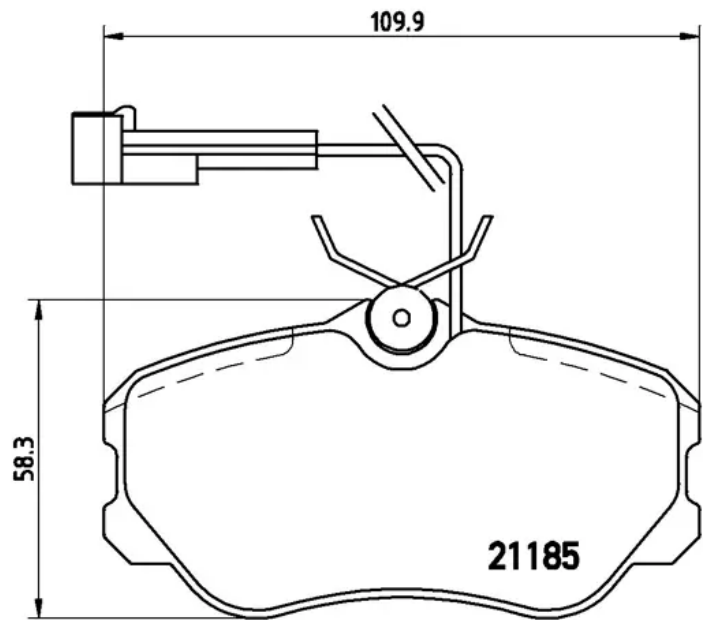
Height
60 mm

Braking system
Lucas

Wear indicator
Electric

WVA number
21182,21185

Accessories
**With accessories
With anti-squeal
shim
With brake caliper
bolts**



COMPATIBLE VEHICLES

COMPATIBLE OE PART NUMBERS

0005892731	ALFA ROMEO
795428	ALFA ROMEO
9946023	ALFA ROMEO
5892313	FIAT
71770967	FIAT
793774	FIAT
5892731	LANCIA