



BRAKE PAD

P 30 030

The P 30 030 brake pad is synonymous with reliability

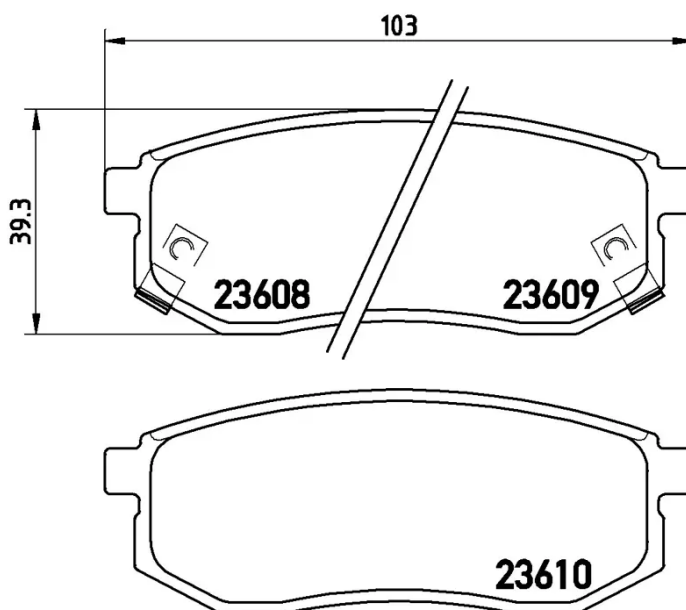
The Brembo brake pad guarantees ultimate safety when braking thanks to the use of more than 100 different compounds, designed according to the type of vehicle and use. Stopping distances reduced to a minimum, maximum driving comfort and silent operation are the most important features of Brembo materials. Brembo brake pads are supplied together with an extensive range of accessories and assembly kits for professional-standard installation.

- ✓ OE-equivalent
- ✓ Brembo quality
- ✓ ECE-R90 certificate
- ✓ Safety
- ✓ Performance
- ✓ Comfort



Technical specifications

EAN code	Axle	Thickness
8020584060681	Rear	15 mm
Width	Height	Braking system
103 mm	39 mm	Mando
Wear indicator	WVA number	Accessories
Acoustic	23608,23609,23610	With anti-squeal shim



COMPATIBLE VEHICLES

COMPATIBLE OE PART NUMBERS

53302M2A01	HYUNDAI
------------	---------

58302M2A00	HYUNDAI
------------	---------

58302M2A01	HYUNDAI
------------	---------

58302M2A10	HYUNDAI
------------	---------

121029	KIA
--------	-----

58302M2A00	KIA
------------	-----

58302M2A01	KIA
------------	-----

58302M2A10	KIA
------------	-----