



BRAKE PAD

P 44 017

The P 44 017 brake pad is synonymous with reliability

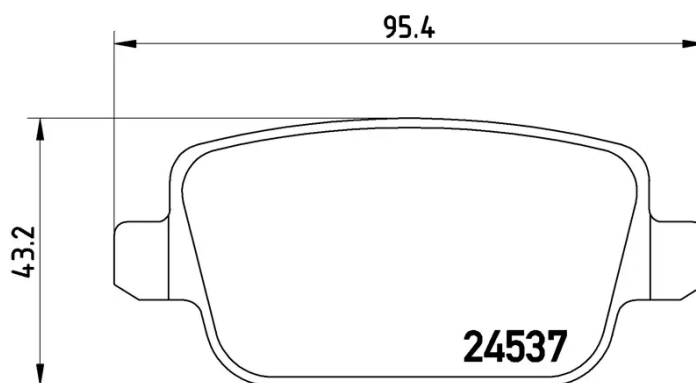
The Brembo brake pad guarantees ultimate safety when braking thanks to the use of more than 100 different compounds, designed according to the type of vehicle and use. Stopping distances reduced to a minimum, maximum driving comfort and silent operation are the most important features of Brembo materials. Brembo brake pads are supplied together with an extensive range of accessories and assembly kits for professional-standard installation.



- ✓ OE-equivalent
- ✓ Brembo quality
- ✓ ECE-R90 certificate
- ✓ Safety
- ✓ Performance
- ✓ Comfort
- ✓ With accessories

Technical specifications

EAN code	Axle	Thickness
8020584060940	Rear	16 mm
Width	Height	Braking system
95 mm	43 mm	TRW
Wear indicator	WVA number	Accessories
Without	24537	With accessories With anti-squeal shim With brake caliper bolts



COMPATIBLE VEHICLES

COMPATIBLE OE PART NUMBERS

LR003657	LAND ROVER
----------	------------

LR134697	LAND ROVER
----------	------------

30671576	VOLVO
----------	-------

30794553	VOLVO
----------	-------
