



BRAKE PAD

P 50 160

The P 50 160 brake pad is synonymous with reliability

The Brembo brake pad guarantees ultimate safety when braking thanks to the use of more than 100 different compounds, designed according to the type of vehicle and use. Stopping distances reduced to a minimum, maximum driving comfort and silent operation are the most important features of Brembo materials. Brembo brake pads are supplied together with an extensive range of accessories and assembly kits for professional-standard installation.

- ✓ OE-equivalent
- ✓ Brembo quality
- ✓ ECE-R90 certificate
- ✓ Safety
- ✓ Performance
- ✓ Comfort



Technical specifications

EAN code
8020584117989

Axle
Front

Thickness
17 mm

Width
188 mm

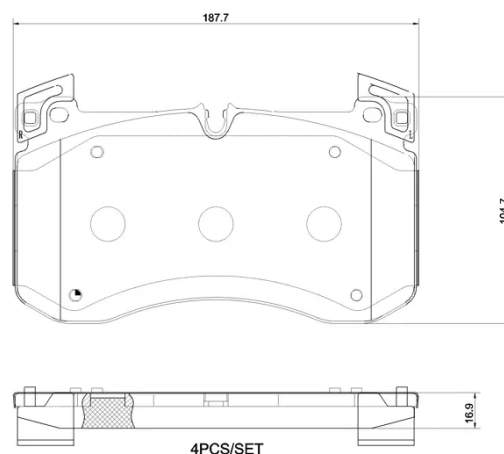
Height
105 mm

Braking system
Brembo

Wear indicator
Prepared for wear indicator

WVA number
22697

Accessories
**With anti-squeal shim
With counterweights**



COMPATIBLE VEHICLES

COMPATIBLE OE PART NUMBERS

0004201303	MERCEDES-BENZ
------------	---------------

0004201906	MERCEDES-BENZ
------------	---------------

0004202405	MERCEDES-BENZ
------------	---------------

0004204105	MERCEDES-BENZ
------------	---------------

0004204603	MERCEDES-BENZ
------------	---------------

0004205002	MERCEDES-BENZ
------------	---------------

0004215702	MERCEDES-BENZ
------------	---------------

A0004201303	MERCEDES-BENZ
-------------	---------------

A0004201906	MERCEDES-BENZ
-------------	---------------

A0004202405	MERCEDES-BENZ
-------------	---------------

A0004204105	MERCEDES-BENZ
-------------	---------------

A0004204603	MERCEDES-BENZ
-------------	---------------

A0004205002	MERCEDES-BENZ
-------------	---------------

A0004215702	MERCEDES-BENZ
-------------	---------------