



BRAKE PAD

P 59 005

The P 59 005 brake pad is synonymous with reliability

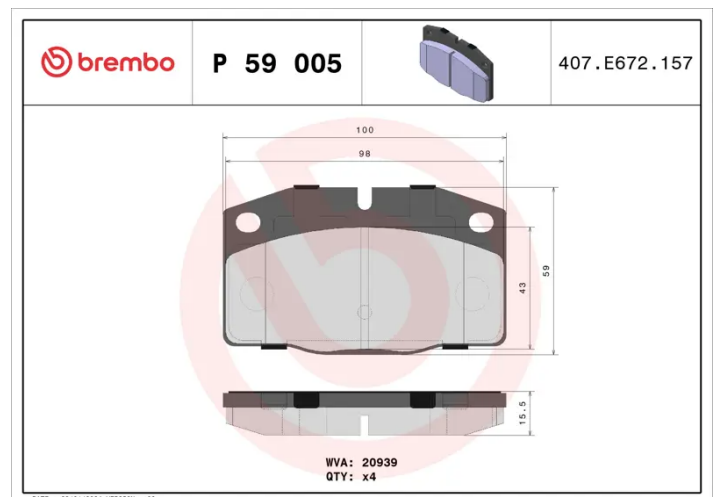
The Brembo brake pad guarantees ultimate safety when braking thanks to the use of more than 100 different compounds, designed according to the type of vehicle and use. Stopping distances reduced to a minimum, maximum driving comfort and silent operation are the most important features of Brembo materials. Brembo brake pads are supplied together with an extensive range of accessories and assembly kits for professional-standard installation.

- ✓ OE-equivalent
- ✓ Brembo quality
- ✓ ECE-R90 certificate
- ✓ Safety
- ✓ Performance
- ✓ Comfort



Technical specifications

EAN code 8020584055366	Axle Front	Thickness 15 mm
Width 100 mm	Height 59 mm	Braking system Delco Moraine
Wear indicator Without	WVA number 20939	Accessories With anti-squeal shim



COMPATIBLE VEHICLES

COMPATIBLE OE PART NUMBERS

90398759 BEDFORD

1605463 OPEL

1605485 OPEL

1605496 OPEL

1605504 OPEL

1605531 OPEL

1605536 OPEL

1605544 OPEL

1605546 OPEL

1605562 OPEL

1605563 OPEL

1605582 OPEL

1605586 OPEL

1605653 OPEL

1605654 OPEL

1605670 OPEL

1605671 OPEL

1605697 OPEL

1605703 OPEL

1605704 OPEL

1605783 OPEL

1605787 OPEL

1605788 OPEL

1605791 OPEL

1605795 OPEL

1605820 OPEL

1605870 OPEL

90010584 OPEL

90010585 OPEL

90018692 OPEL

90114901 OPEL

90167334 OPEL

90167765 OPEL

90297357 OPEL

90297358 OPEL

90298758 OPEL

90398758 OPEL

90398759 OPEL

90398800 OPEL

90399437 OPEL

90442385 OPEL

90443902 OPEL

90010584 VAUXHALL

90010585 VAUXHALL

90018692 VAUXHALL