



BRAKE PAD XTRA

P 78 021X

The P 78 021X Xtra brake pad is synonymous with reliability

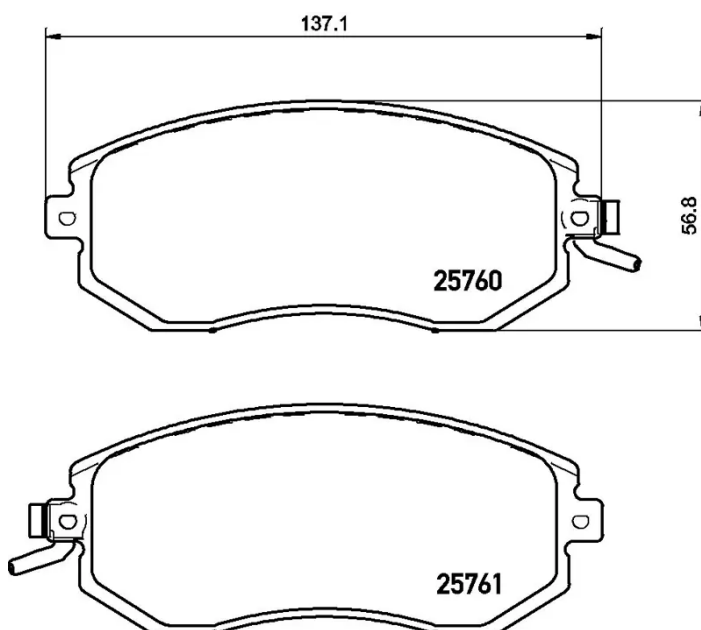
Brembo Xtra brake pads, developed to enhance the advantages of the Xtra and Max discs, are made using the special BRM X L01 compound which consists of more than 30 different components. Compared with the compound used for original-equivalent pads, the new solution assures a higher friction coefficient, which translates to more precise and stable braking, at both high and low temperatures. All this makes for greater driving comfort and improved pedal modularity, without compromising the product's mileage output.



- ✓ OE-equivalent
- ✓ Brembo quality
- ✓ ECE-R90 certificate
- ✓ Safety
- ✓ Performance
- ✓ Sports driving
- ✓ With accessories

Technical specifications

EAN code 8020584069233	Axle Front	Thickness 17 mm
Width 137 mm	Height 57 mm	Braking system Tokico
Wear indicator Acoustic	WVA number 25760,25761	Accessories With accessories With anti-squeal shim



COMPATIBLE OE PART NUMBERS

26296AJ02A	SUBARU
------------	--------

26296CC000	SUBARU
------------	--------

26296FJ020	SUBARU
------------	--------

26296SC000	SUBARU
------------	--------

26296SC010	SUBARU
------------	--------

26296SC020	SUBARU
------------	--------

26296SC021	SUBARU
------------	--------

SU00304090	SUBARU
------------	--------

SU00304090	TOYOTA
------------	--------

SU00310626	TOYOTA
------------	--------

SU00310627	TOYOTA
------------	--------