



BRAKE DISC PAINTED

08.9093.11

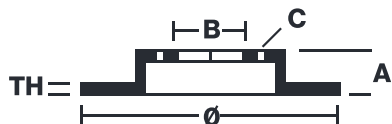
The 08.9093.11 painted brake disc is synonymous with reliability

The Brembo brake disc with special UV paint treatment guarantees superior corrosion resistance for the product, thanks to the protective coating on the outer edges and on the disc hub. The UV paint not only gives the disc a clean, shiny appearance but is also beneficial for the environment as the water-based UV paint treatment does not require the use of chemical solvents and is a low energy consumption process.

- ✓ OE-equivalent
- ✓ Brembo quality
- ✓ ECE-R90 certificate
- ✓ Safety
- ✓ Anti-corrosion

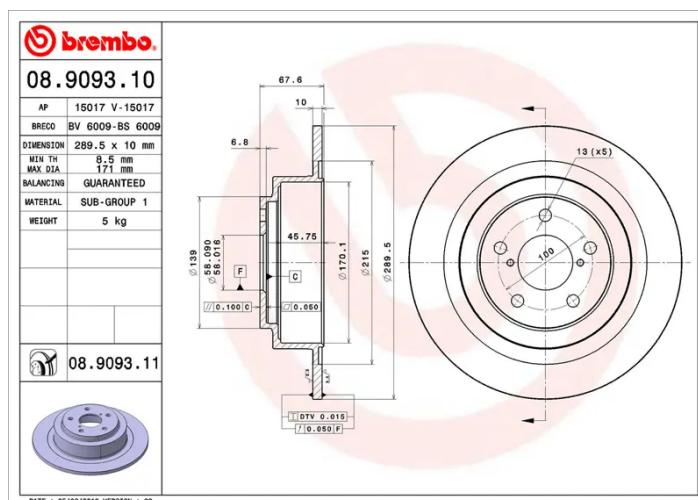


Technical specifications



EAN code	Axle	Diameter Ø
8020584032473	Rear	290 mm
Thickness (TH)	Height (A)	Number of holes (C)
10 mm	68 mm	5
Brake disc type	Centering (B)	Min. thickness
Solid	58 mm	8,5 mm

Tightening torque
100 Nm



COMPATIBLE VEHICLES

COMPATIBLE OE PART NUMBERS

26700AE010	SUBARU
------------	--------

26700AE04A	SUBARU
------------	--------

26700AE04B	SUBARU
------------	--------

26700AE04C	SUBARU
------------	--------

26700AE060	SUBARU
------------	--------

26700AE061	SUBARU
------------	--------

26700AE062	SUBARU
------------	--------