



BRAKE DISC PAINTED

09.A727.21

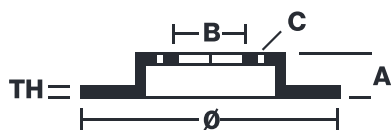
The 09.A727.21 painted brake disc is synonymous with reliability

The Brembo brake disc with special UV paint treatment guarantees superior corrosion resistance for the product, thanks to the protective coating on the outer edges and on the disc hub. The UV paint not only gives the disc a clean, shiny appearance but is also beneficial for the environment as the water-based UV paint treatment does not require the use of chemical solvents and is a low energy consumption process.

- ✓ OE-equivalent
- ✓ Brembo quality
- ✓ ECE-R90 certificate
- ✓ Safety
- ✓ High carbon
- ✓ Anti-corrosion
- ✓ PVT ventilation
- ✓ Fastening screws



Technical specifications



EAN code
8020584216392

Axle
Front

Diameter \varnothing
280 mm

Thickness (TH)
24 mm

Height (A)
44 mm

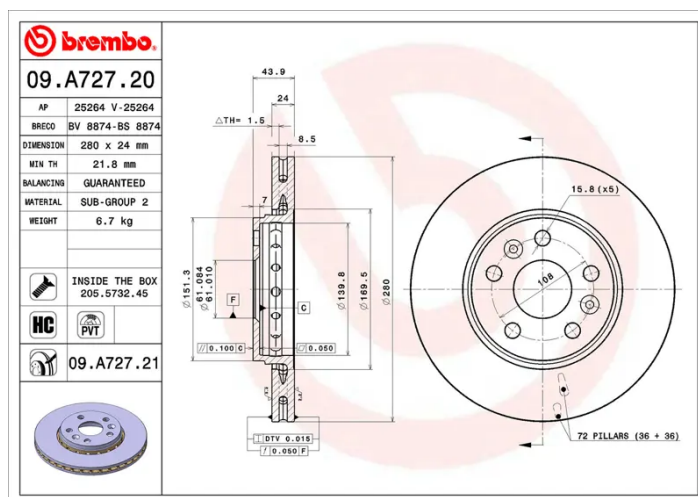
Number of holes (C)
5

Brake disc type
Ventilated

Centering (B)
61 mm

Min. thickness
21,8 mm

Tightening torque
105 Nm



COMPATIBLE OE PART NUMBERS

4154200001	MERCEDES-BENZ
------------	---------------

4154200701	MERCEDES-BENZ
------------	---------------

A4154200001	MERCEDES-BENZ
-------------	---------------

A4154200701	MERCEDES-BENZ
-------------	---------------

4020600Q2G	NISSAN
------------	--------

402064230R	RENAULT
------------	---------

402064442R	RENAULT
------------	---------

7701209839	RENAULT
------------	---------

8201464604	RENAULT
------------	---------

8660005363	RENAULT
------------	---------