



# BRAKE DISC

## 09.A921.14

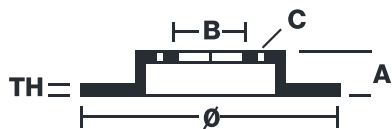
The **09.A921.14** brake disc is synonymous with reliability

The Brembo brake disc is fully interchangeable with an Original Equipment brake disc. The control of the entire production cycle allows Brembo to offer brake discs with outstanding performance levels, reliability, durability and comfort in all conditions of use. All Brembo brake discs are accompanied by the ECE-R90 homologation.

- ✓ OE-equivalent
- ✓ Brembo quality
- ✓ ECE-R90 certificate
- ✓ Safety



### Technical specifications



EAN code  
**8020584027844**

Axle  
**Front**

Diameter Ø  
**293 mm**

Thickness (TH)  
**24 mm**

Height (A)  
**57 mm**

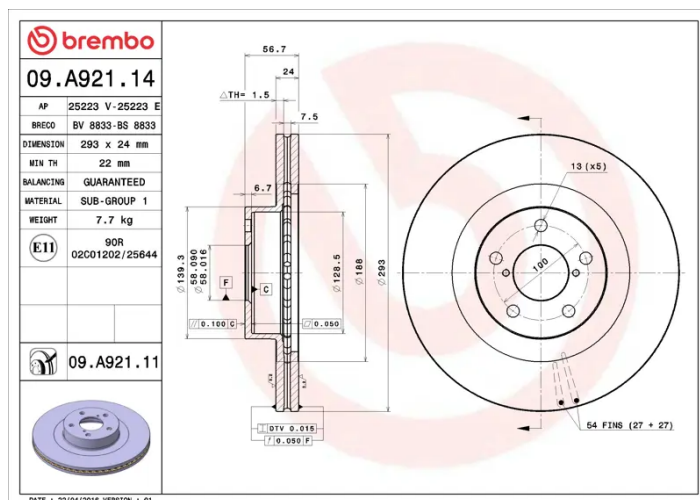
Number of holes (C)  
**5**

Brake disc type  
**Ventilated**

Centering (B)  
**58 mm**

Min. thickness  
**22 mm**

Tightening torque  
**100 Nm**



**COMPATIBLE VEHICLES**

## COMPATIBLE OE PART NUMBERS

26300AG01A	SUBARU
------------	--------

26300AG01B	SUBARU
------------	--------

26300FE040	SUBARU
------------	--------

26300SA000	SUBARU
------------	--------

26300SA001	SUBARU
------------	--------

SU00300586	TOYOTA
------------	--------