



# BRAKE DISC PAINTED

## 09.C929.11

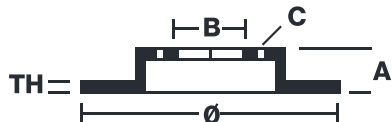
The 09.C929.11 painted brake disc is synonymous with reliability

The Brembo brake disc with special UV paint treatment guarantees superior corrosion resistance for the product, thanks to the protective coating on the outer edges and on the disc hub. The UV paint not only gives the disc a clean, shiny appearance but is also beneficial for the environment as the water-based UV paint treatment does not require the use of chemical solvents and is a low energy consumption process.

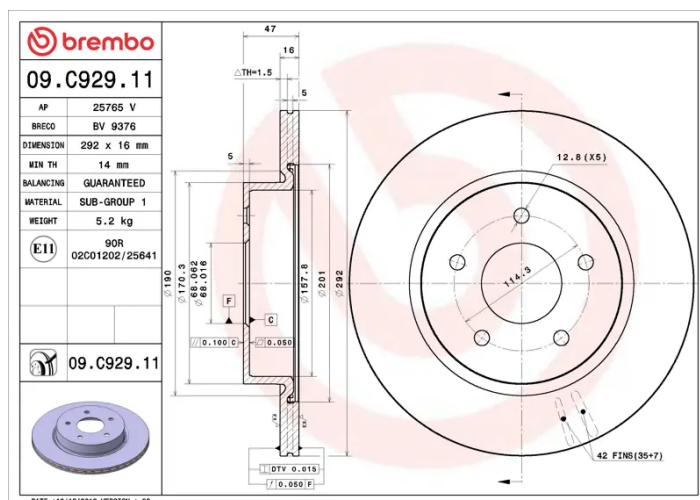
- ✓ OE-equivalent
- ✓ Brembo quality
- ✓ ECE-R90 certificate
- ✓ Safety
- ✓ Anti-corrosion



### Technical specifications



EAN code	Diameter Ø	
<b>8020584236253</b>	<b>292 mm</b>	
Thickness (TH)	Height (A)	Number of holes (C)
<b>16 mm</b>	<b>47 mm</b>	<b>5</b>
Brake disc type	Centering (B)	Min. thickness
<b>Ventilated</b>	<b>68 mm</b>	<b>14 mm</b>



**COMPATIBLE VEHICLES**

## COMPATIBLE OE PART NUMBERS

432064CE0A NISSAN

---

432066RA0A NISSAN

---

432066RN0A NISSAN

---

432066RR0A NISSAN

---

D32064CE0A NISSAN

---

432064CE0A NISSAN (DFAC)

---

432064CE0C NISSAN (DFAC)

---

432066RS1A NISSAN (DFAC)

---

D32064CE0A NISSAN (DFAC)

---

432064423R RENAULT

---

432064CE0A RENAULT

---

432066RN0A RENAULT

---

432064CE0A RENAULT (DFAC)

---

432064CE0C RENAULT (DFAC)

---