



BRAKE PAD PRIME CERAMIC P24048N

The P24048N NAO brake pad is synonymous with reliability

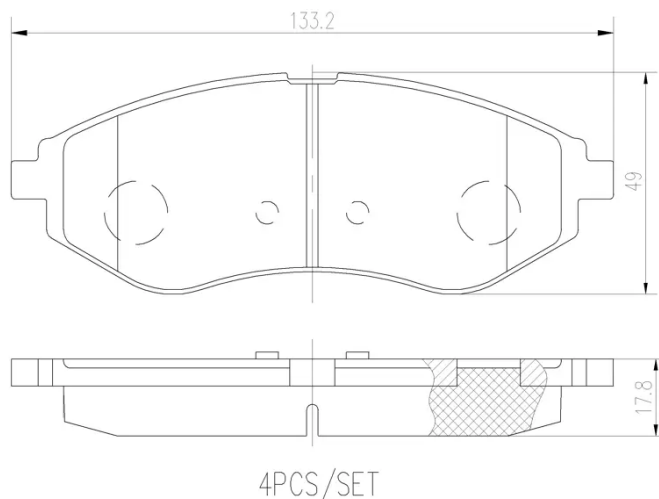
Brembo NAO brake pads stand out for their ultimate braking comfort, reduced friction wear and low dust mission, which makes for cleaner rims and reduced maintenance requirements. The advanced friction material in keeping with the strictest environmental standards is the main distinguishing feature of NAO compounds.

- ✓ OE-equivalent
- ✓ Brembo quality
- ✓ Safety
- ✓ Comfort
- ✓ Durability
- ✓ Dust reduction
- ✓ With accessories



Technical specifications

| | | |
|----------------------------------|----------------------------|---|
| EAN code 8020584096994 | Axle Front | Thickness 18 mm |
| Width 133 mm | Height 49 mm | Braking system Akebono |
| Wear indicator Without | WVA number 23974 | Accessories With anti-squeal shim |



COMPATIBLE VEHICLES

COMPATIBLE OE PART NUMBERS

| | |
|----------|-----------------|
| 96534653 | CHEVROLET |
| 93723736 | CHEVROLET (SGM) |
| 96534653 | DAEWOO |
| PW892497 | DAEWOO |
| PC351112 | PROTON |
| PW891729 | PROTON |