



BRAKE PAD PRIME CERAMIC P36012N

The P36012N NAO brake pad is synonymous with reliability

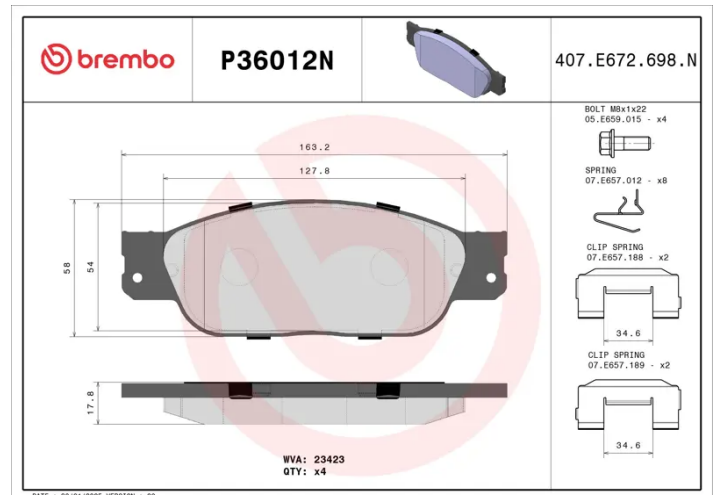
Brembo NAO brake pads stand out for their ultimate braking comfort, reduced friction wear and low dust mission, which makes for cleaner rims and reduced maintenance requirements. The advanced friction material in keeping with the strictest environmental standards is the main distinguishing feature of NAO compounds.

- ✓ OE-equivalent
- ✓ Brembo quality
- ✓ Safety
- ✓ Comfort
- ✓ Durability
- ✓ Dust reduction
- ✓ With accessories



Technical specifications

EAN code 8020584098127	Axle Front	Thickness 18 mm
Width 163 mm	Height 58 mm	Braking system Lucas
Wear indicator Without	WVA number 23423	Accessories With accessories With anti-squeal shim With brake caliper bolts



COMPATIBLE VEHICLES

COMPATIBLE OE PART NUMBERS

XW4Z2001AA	FORD
6W4Z2001BA	FORD USA
XR810210	JAGUAR
XR812435	JAGUAR
XR813324	JAGUAR
XR858178	JAGUAR
6W4Z2001BA	LINCOLN
XW4Z20001AA	LINCOLN
XW4Z2001BA	LINCOLN
YU2Z2V001JA	LINCOLN