



BRAKE PAD PRIME CERAMIC

P49042N

The P49042N NAO brake pad is synonymous with reliability

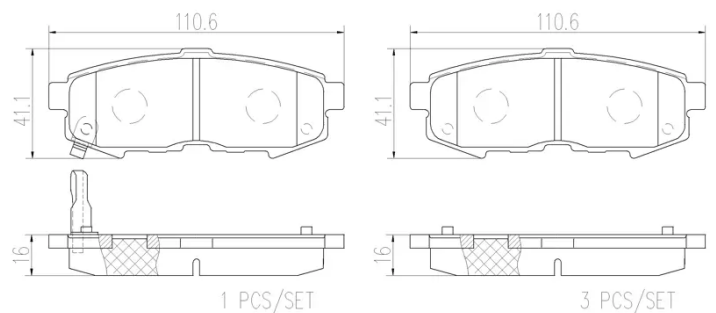
Brembo NAO brake pads stand out for their ultimate braking comfort, reduced friction wear and low dust mission, which makes for cleaner rims and reduced maintenance requirements. The advanced friction material in keeping with the strictest environmental standards is the main distinguishing feature of NAO compounds.

- ✓ OE-equivalent
- ✓ Brembo quality
- ✓ Safety
- ✓ Comfort
- ✓ Durability
- ✓ Dust reduction
- ✓ With accessories



Technical specifications

EAN code 8020584082690	Axle Rear	Thickness 16 mm
Width 111 mm	Height 41 mm	Braking system Sumitomo
Wear indicator Acoustic	WVA number 24215,24216	Accessories With accessories With anti-squeal shim



COMPATIBLE VEHICLES

COMPATIBLE OE PART NUMBERS

LEY42643Z	MAZDA
-----------	-------

LEY42643ZA	MAZDA
------------	-------

LEY42648Z	MAZDA
-----------	-------

LEY42648ZA	MAZDA
------------	-------

LEY42649Z	MAZDA
-----------	-------

LEY52643Z	MAZDA
-----------	-------

LEY52643ZA	MAZDA
------------	-------

LEY52648Z	MAZDA
-----------	-------