



# BRAKE PAD PRIME CERAMIC P50038N

The P50038N NAO brake pad is synonymous with reliability

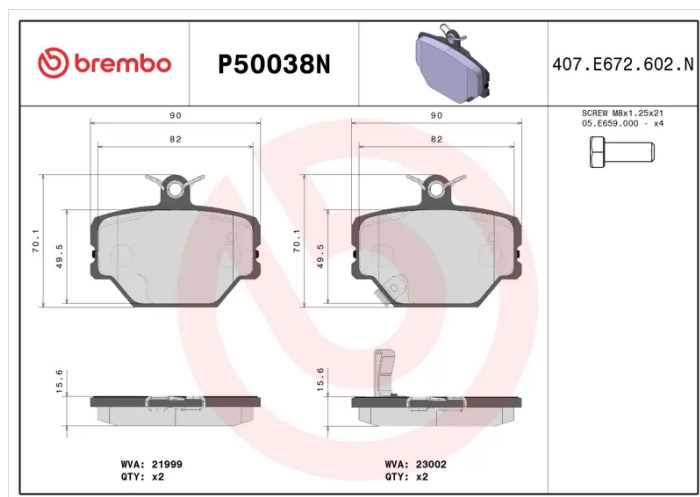
Brembo NAO brake pads stand out for their ultimate braking comfort, reduced friction wear and low dust mission, which makes for cleaner rims and reduced maintenance requirements. The advanced friction material in keeping with the strictest environmental standards is the main distinguishing feature of NAO compounds.

- ✓ OE-equivalent
- ✓ Brembo quality
- ✓ Safety
- ✓ Comfort
- ✓ Durability
- ✓ Dust reduction
- ✓ With accessories



## Technical specifications

EAN code <b>8020584080405</b>	Axle <b>Front</b>	Thickness <b>16 mm</b>
Width <b>90 mm</b>	Height <b>70 mm</b>	Braking system <b>Bosch</b>
Wear indicator <b>Acoustic</b>	WVA number <b>21999,23002</b>	Accessories <b>With anti-squeal shim</b>



COMPATIBLE VEHICLES

## COMPATIBLE OE PART NUMBERS

0001431V0030000 CHRYSLER

---

0004200505 MERCEDES-BENZ

---

4514210010 MERCEDES-BENZ

---

A0004200505 MERCEDES-BENZ

---

A4514210010 MERCEDES-BENZ

---

0001431V002000000 SMART

---

0001431V003000000 SMART

---

0001431V004000000 SMART

---

4200505 SMART

---

4514210010 SMART

---

4514210110 SMART

---

4514210210 SMART

---

451421021064 SMART

---

A4514210010 SMART

---

A4514210110 SMART

---

A4514210210 SMART

---

C0001431V002 SMART

---

C0001431V002000000 SMART

---

Q0001431V004000000 SMART

---