



BRAKE PAD PRIME CERAMIC P50115N

The P50115N NAO brake pad is synonymous with reliability

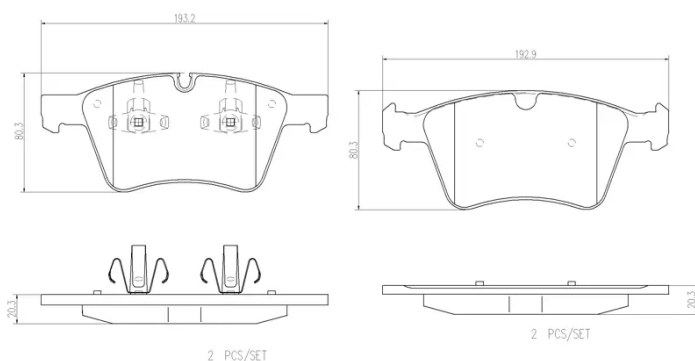
Brembo NAO brake pads stand out for their ultimate braking comfort, reduced friction wear and low dust mission, which makes for cleaner rims and reduced maintenance requirements. The advanced friction material in keeping with the strictest environmental standards is the main distinguishing feature of NAO compounds.

- ✓ OE-equivalent
- ✓ Brembo quality
- ✓ Safety
- ✓ Comfort
- ✓ Durability
- ✓ Dust reduction
- ✓ With accessories



Technical specifications

EAN code 8020584083819	Axle Front	Thickness 20 mm
Width 193 mm	Height 80 mm	Braking system Teves
Wear indicator Prepared for wear indicator	WVA number 24152,24151	Accessories With accessories With piston clip With anti-squeal shim



COMPATIBLE VEHICLES

COMPATIBLE OE PART NUMBERS

1644201320	MERCEDES-BENZ
------------	---------------

1644202520	MERCEDES-BENZ
------------	---------------

A1644201320	MERCEDES-BENZ
-------------	---------------

A1644202520	MERCEDES-BENZ
-------------	---------------
