

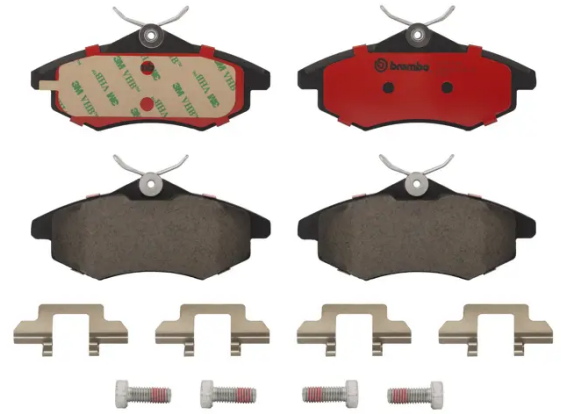


BRAKE PAD PRIME CERAMIC P61074N

The P61074N NAO brake pad is synonymous with reliability

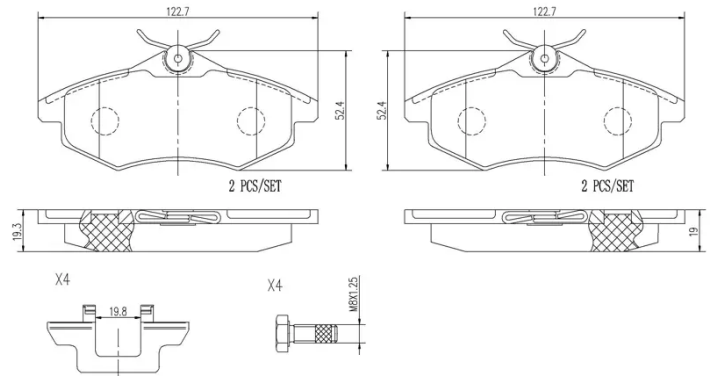
Brembo NAO brake pads stand out for their ultimate braking comfort, reduced friction wear and low dust mission, which makes for cleaner rims and reduced maintenance requirements. The advanced friction material in keeping with the strictest environmental standards is the main distinguishing feature of NAO compounds.

- ✓ OE-equivalent
- ✓ Brembo quality
- ✓ Safety
- ✓ Comfort
- ✓ Durability
- ✓ Dust reduction
- ✓ With accessories



Technical specifications

EAN code 8020584089378	Axle Front	Thickness 19 mm
Width 123 mm	Height 52 mm	Braking system Lucas
Wear indicator Without	WVA number 23407	Accessories With accessories With anti-squeal shim With brake caliper bolts



COMPATIBLE VEHICLES

COMPATIBLE OE PART NUMBERS

1611457180 CITROËN

1617257080 CITROËN

425236 CITROËN

425258 CITROËN

425345 CITROËN

425369 CITROËN

425384 CITROËN

E172285 CITROËN
