



BRAKE PAD PRIME CERAMIC P61120N

The P61120N NAO brake pad is synonymous with reliability

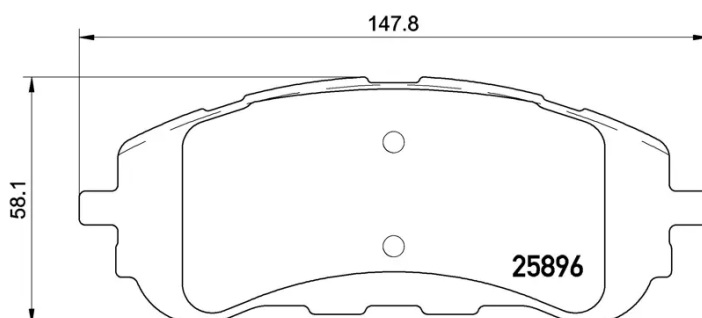
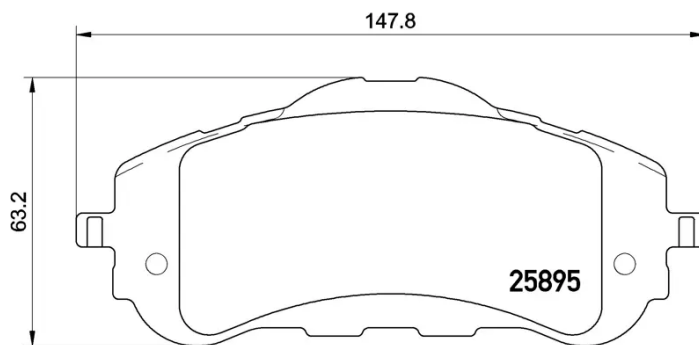
Brembo NAO brake pads stand out for their ultimate braking comfort, reduced friction wear and low dust mission, which makes for cleaner rims and reduced maintenance requirements. The advanced friction material in keeping with the strictest environmental standards is the main distinguishing feature of NAO compounds.

- ✓ OE-equivalent
- ✓ Brembo quality
- ✓ Safety
- ✓ Comfort
- ✓ Durability
- ✓ Dust reduction
- ✓ With accessories



Technical specifications

EAN code 8020584114209	Axle Front	Thickness 19 mm
Width 148 mm	Height 59 mm	Braking system Bosch
Wear indicator Without	WVA number 25895,25896	Accessories With accessories With anti-squeal shim With brake caliper bolts



COMPATIBLE VEHICLES

COMPATIBLE OE PART NUMBERS

1678168180	CITROËN
1610428780	PEUGEOT
1619790980	PEUGEOT
1647860280	PEUGEOT
1612886480	PEUGEOT (DF-PSA)
SU001B2505	TOYOTA
SU001B3771	TOYOTA