



# BRAKE PAD PRIME CERAMIC P61126N

The P61126N NAO brake pad is synonymous with reliability

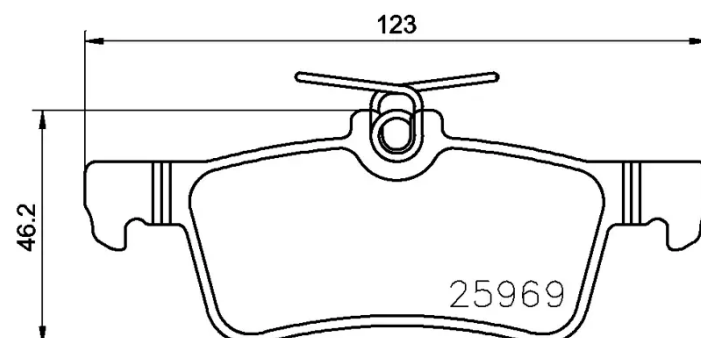
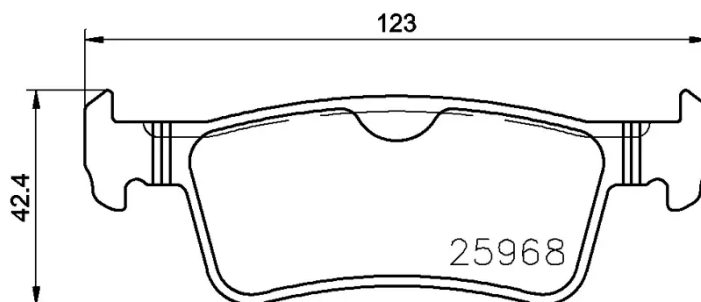
Brembo NAO brake pads stand out for their ultimate braking comfort, reduced friction wear and low dust mission, which makes for cleaner rims and reduced maintenance requirements. The advanced friction material in keeping with the strictest environmental standards is the main distinguishing feature of NAO compounds.

- ✓ OE-equivalent
- ✓ Brembo quality
- ✓ Safety
- ✓ Comfort
- ✓ Durability
- ✓ Dust reduction
- ✓ With accessories



## Technical specifications

EAN code	Axle	Thickness
8020584114247	Rear	16 mm
Width	Height	Braking system
123 mm	42 mm	Teves
Wear indicator	WVA number	Accessories
Without	25968,25969	With anti-squeal shim



COMPATIBLE VEHICLES

## COMPATIBLE OE PART NUMBERS

1611331480	PEUGEOT
1619791480	PEUGEOT
1647875880	PEUGEOT
1647886480	PEUGEOT
1612910380	PEUGEOT (DF-PSA)