



BRAKE PAD PRIME CERAMIC P68012N

The P68012N NAO brake pad is synonymous with reliability

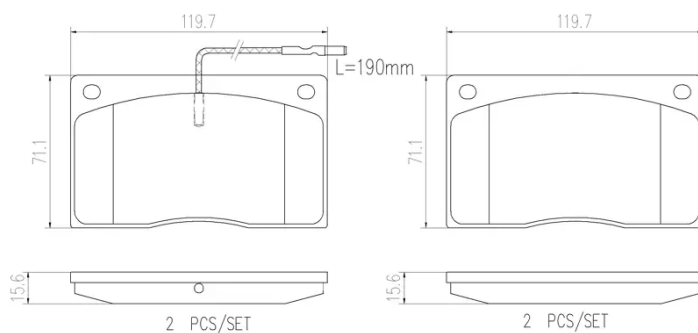
Brembo NAO brake pads stand out for their ultimate braking comfort, reduced friction wear and low dust mission, which makes for cleaner rims and reduced maintenance requirements. The advanced friction material in keeping with the strictest environmental standards is the main distinguishing feature of NAO compounds.

- ✓ OE-equivalent
- ✓ Brembo quality
- ✓ Safety
- ✓ Comfort
- ✓ Durability
- ✓ Dust reduction
- ✓ With accessories



Technical specifications

EAN code 8020584089620	Axle Front	Thickness 16 mm
Width 120 mm	Height 71 mm	Braking system Lucas
Wear indicator Electric	WVA number 20380,21110	Accessories With anti-squeal shim



COMPATIBLE VEHICLES

COMPATIBLE OE PART NUMBERS

JLM1157	JAGUAR
---------	--------

JLM9727	JAGUAR
---------	--------

5001000478	RENAULT
------------	---------

7701203071	RENAULT
------------	---------

7701349255	RENAULT
------------	---------